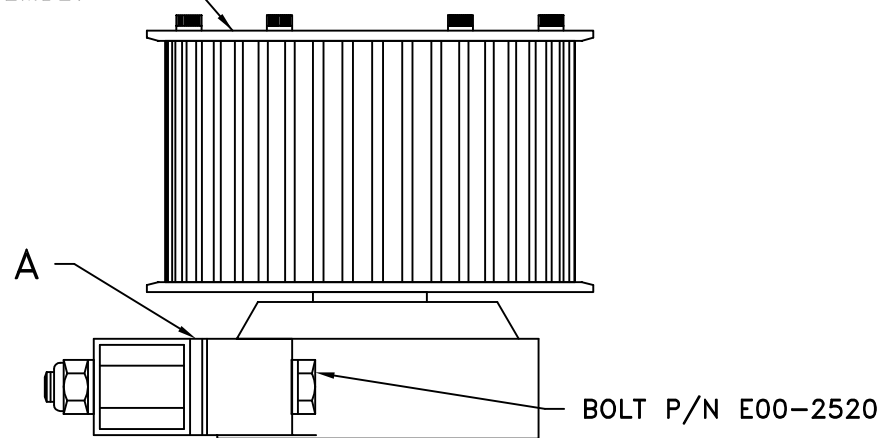
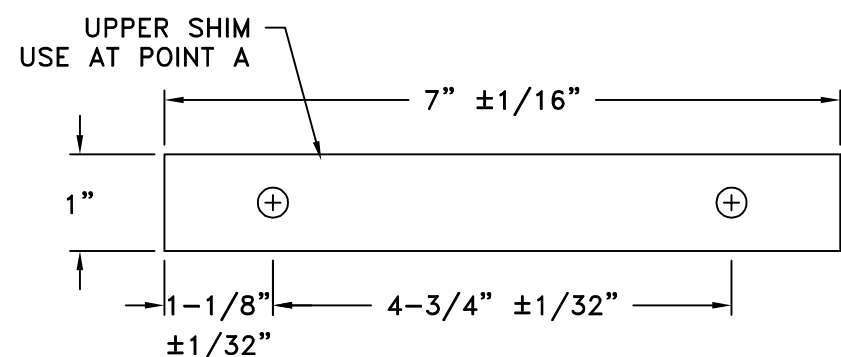


SECONDARY DRIVE INSTALLATION

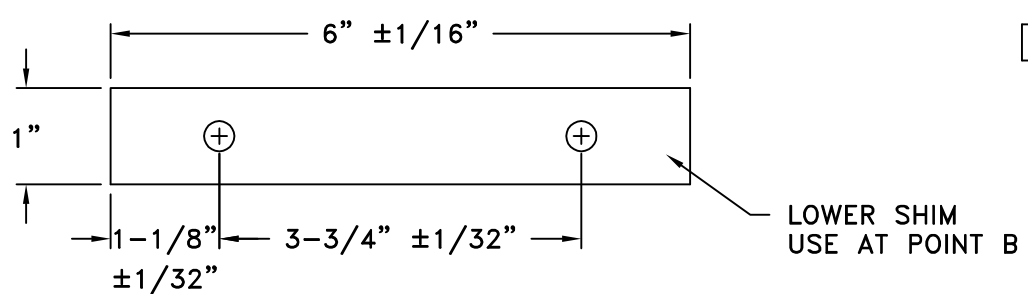
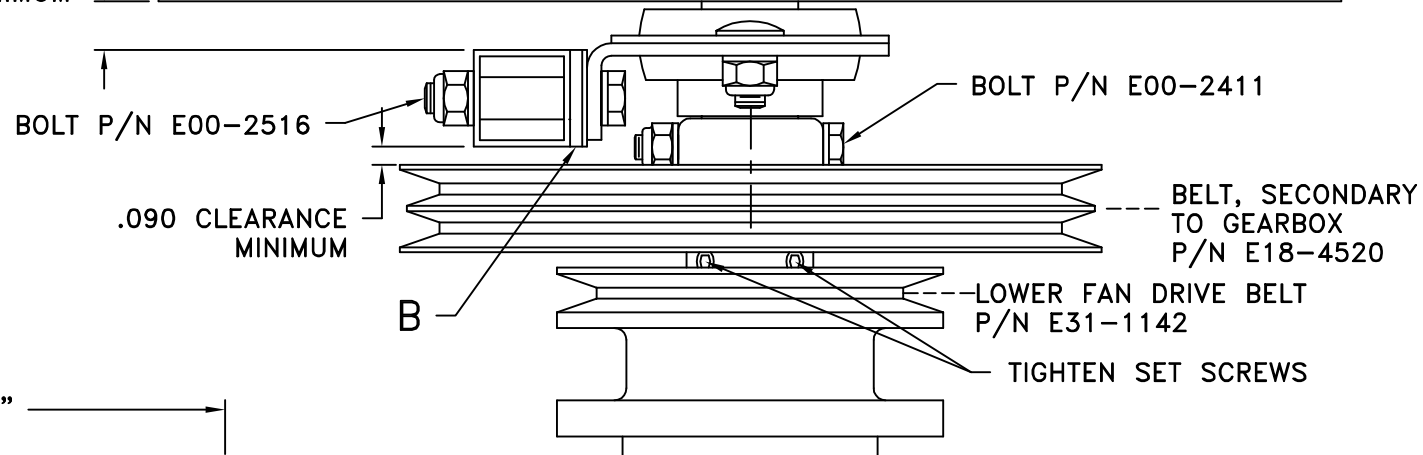
REFER TO CONSTRUCTION MANUAL FOR INSTALLATION AND REMOVAL OF THE SECONDARY SPROCKET AND LOCKING ASSEMBLY



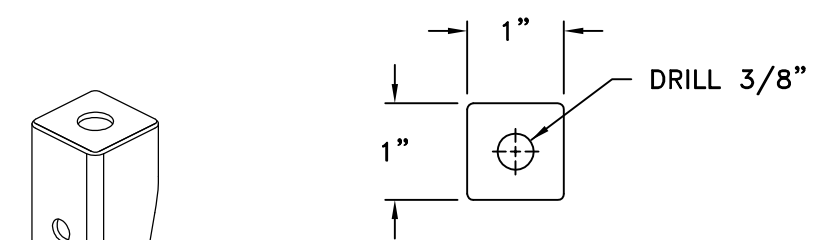
WARNING
DO NOT TAMPER WITH THE FOUR 1/4" BOLTS OR NUTS AS THIS WILL CAUSE SEVERE DAMAGE TO THE UNIT.

INSERT SHIMS P/N E23-2100 AND E23-3100 AT POINTS A AND B AS REQUIRED TO MAINTAIN THE PARALLELISM OF THE MAIN SHAFT AND SECONDARY SHAFT.

.125" CLEARANCE MINIMUM

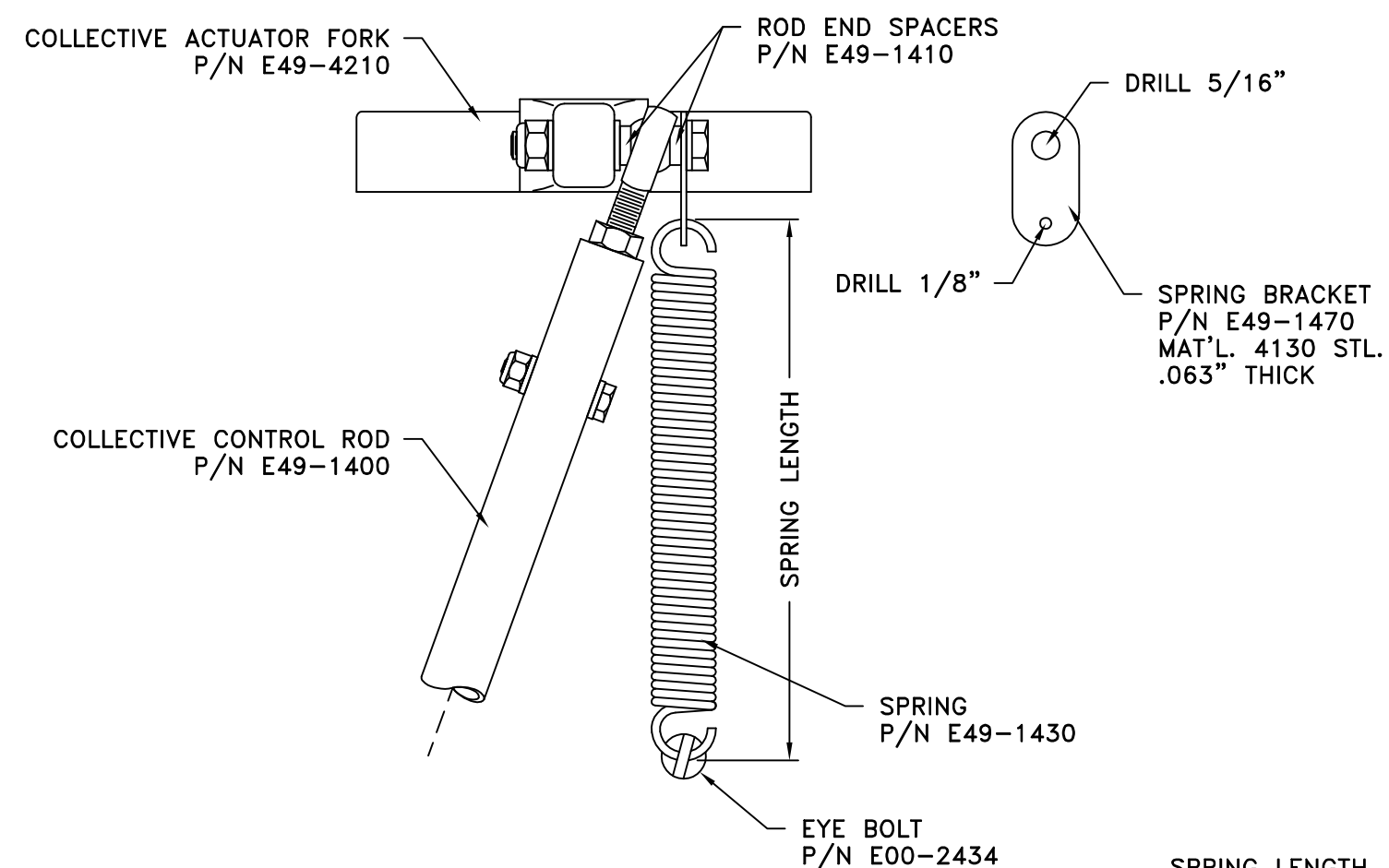


ROTOR TACH SENDER MOUNT



P/N E36-9002
ROTOR TACH SENDER MOUNT WELDMENT
MAT'L. 4130 STL.
1" SQUARE X .063" WALL

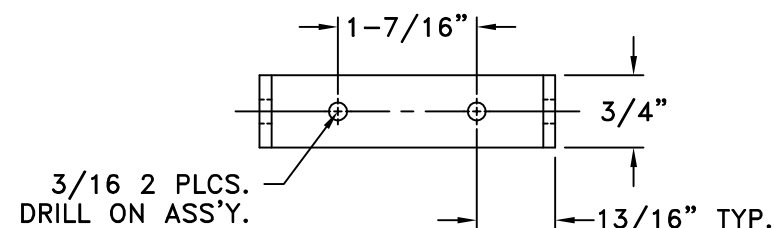
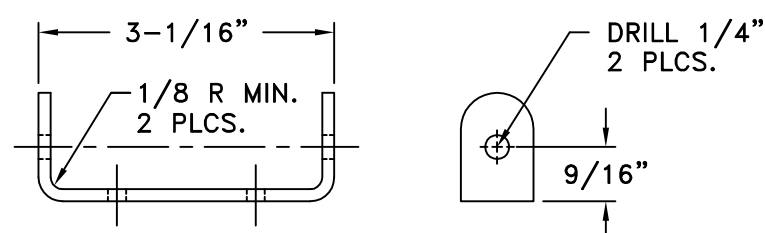
COLLECTIVE CONTROL SPRING ATTACHMENT



SPRING LENGTH	
COLLECTIVE FULL	
UP	DOWN
7-1/2"	8-3/4"

COLLECTIVE SCISSOR MOUNT

P/N E49-1380
MAT'L. 4130 STL.
.125" THICK



ROTORWAY HELICOPTER MANUFACTURING CO CHANDLER, ARIZONA			
SCALE: NONE	APPROVED BY:	DRAWN BY: WAR	
DATE: 1-19-08		REVISED: 3-20-17	
SECONDARY DRIVE, ROTOR TACH SENDER MT, COLLECTIVE SPRING AND SCISSOR MOUNT			
MODEL: A600	DRAWING NUMBER: E23-2000	REV: A	