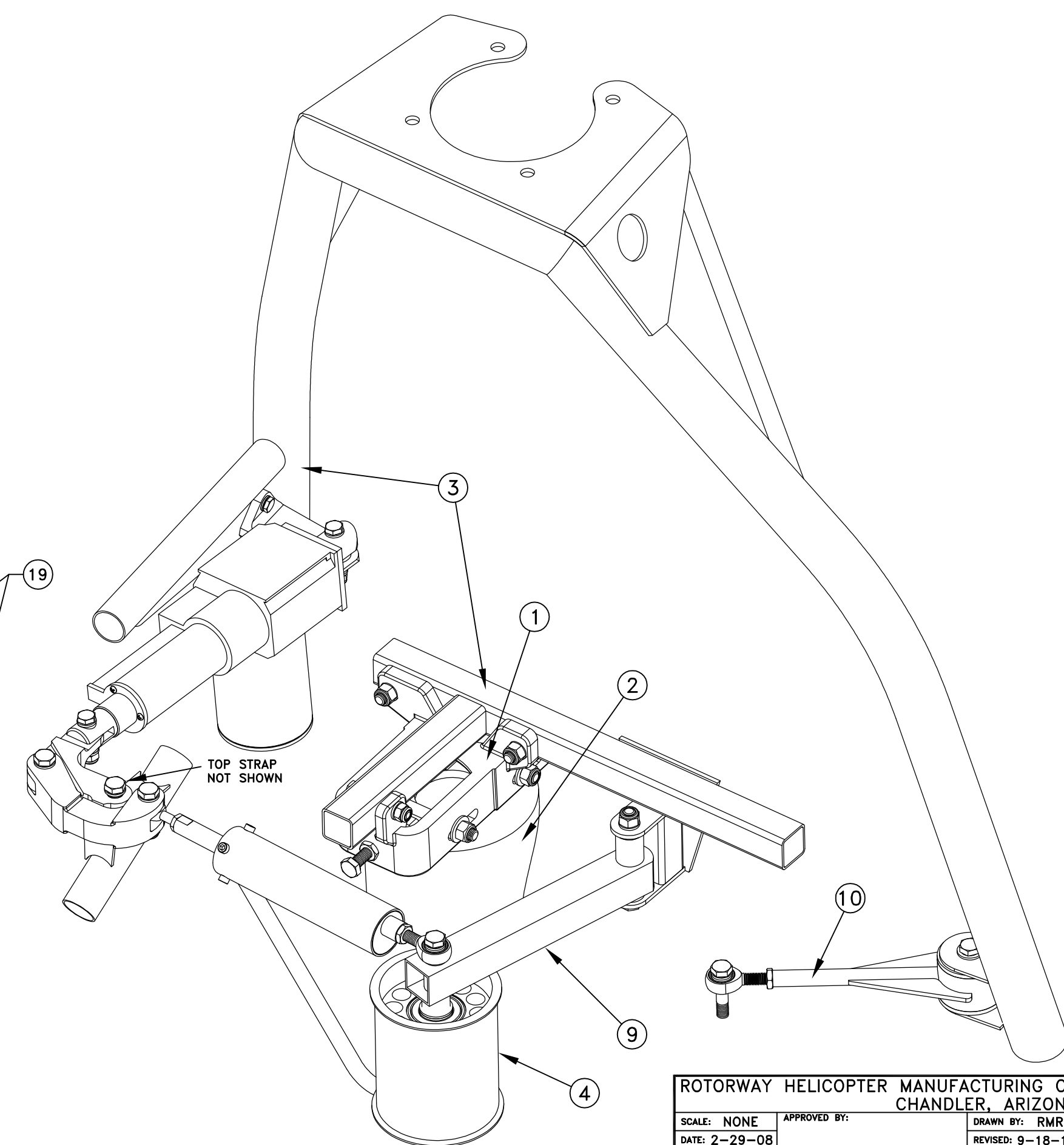
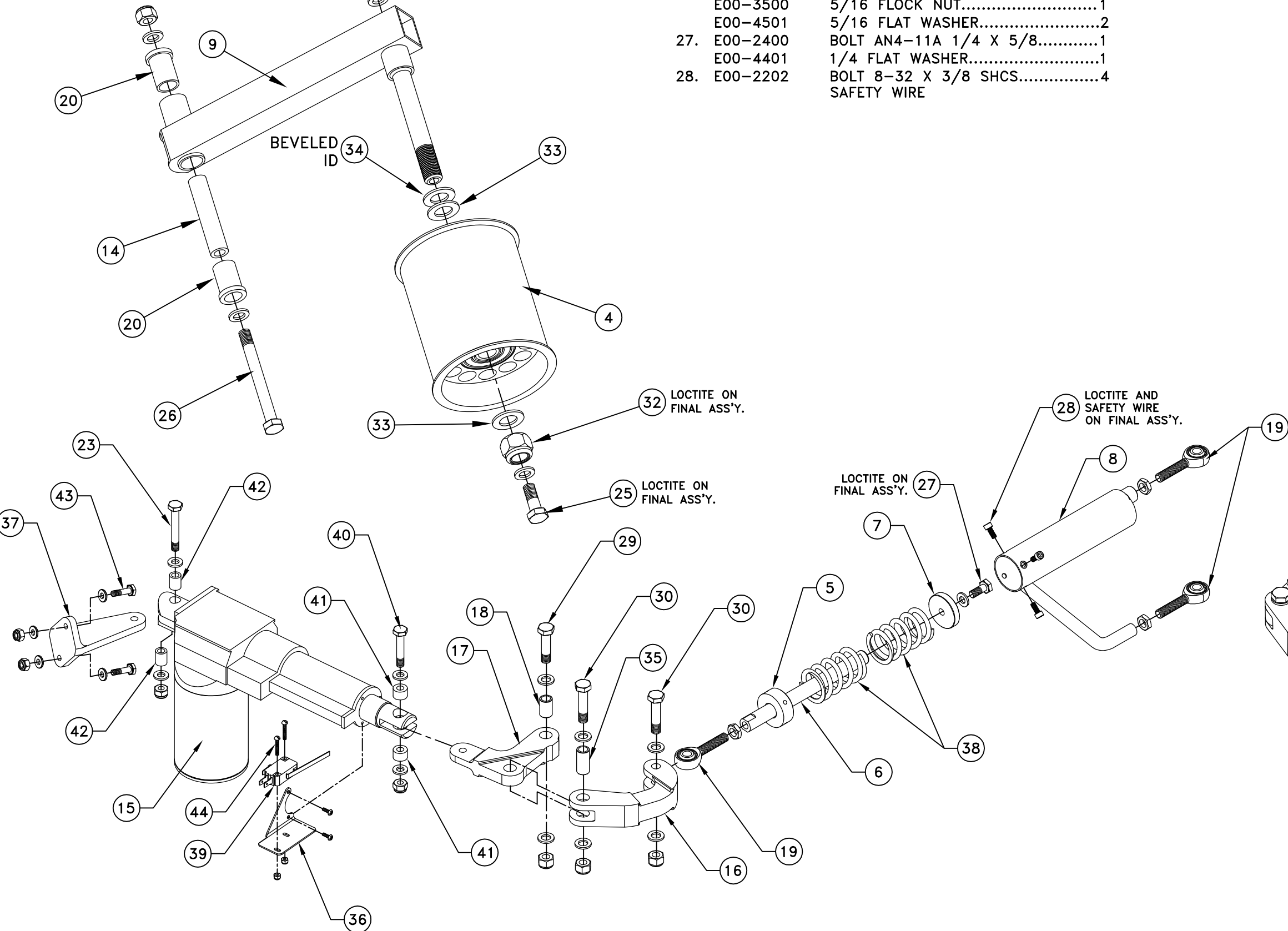
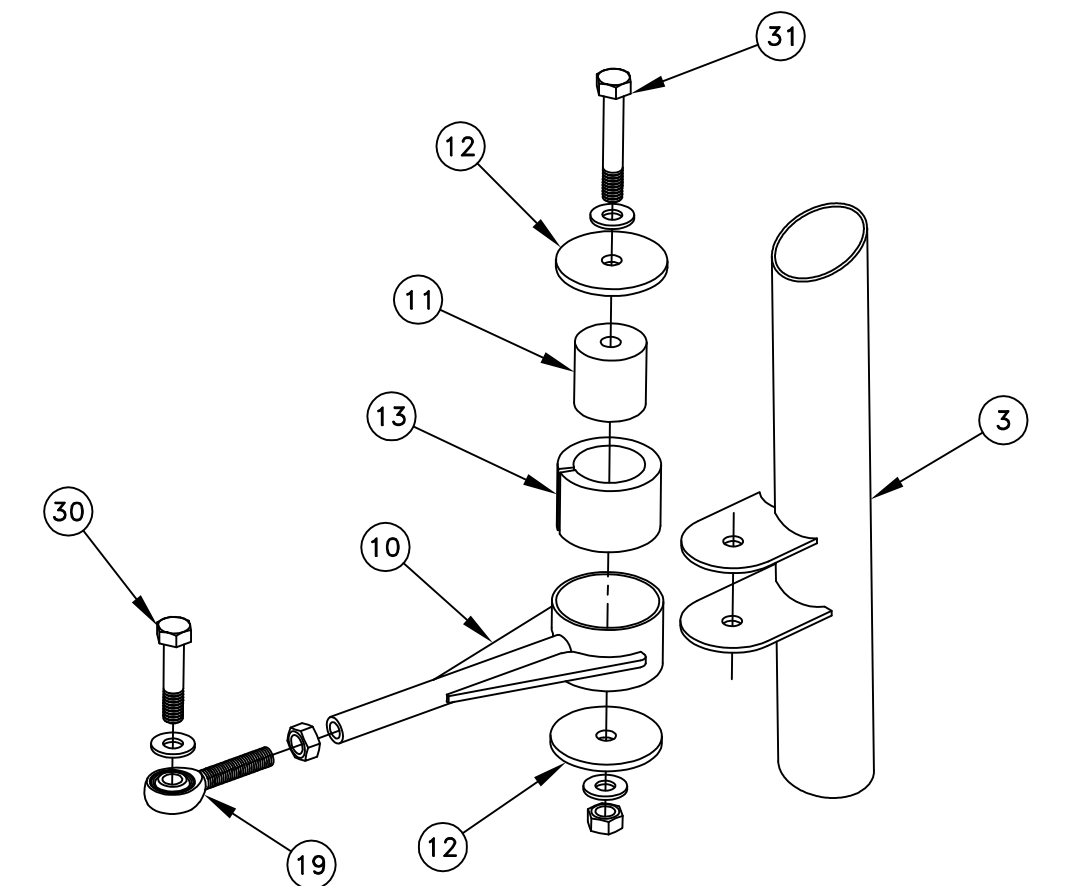


REF. NO.	PART NO.	PART NAME	QTY.
1.	E24-5110	UPPER ENGINE MOUNT CLEVIS.....	1
2.	E24-5100	UPPER ENGINE MOUNT CUP.....	1
3.	AIRFRAME	(REFERENCE)	
4.	E27-8140	IDLER PULLEY ASSY.....	1
5.	E27-8600	CLUTCH PISTON GUIDE.....	1
6.	E27-8400	CLUTCH TUBE PISTON ROD.....	1
7.	E27-8610	CLUTCH SPRING SPACER.....	1
8.	E27-8570	CLUTCH SPRING TUBE WELDMENT.....	1
9.	E27-8100	IDLER ARM WELDMENT.....	1
10.	E27-9000	TORQUE LINK WELDMENT.....	1
11.	E27-6160	ALUMINUM INSERT.....	1
12.	E27-1200	RUBBER WASHER 1/8" THK.....	2
13.	E27-1240	RUBBER INSERT.....	1
14.	E27-8180	IDLER ARM PIVOT SPACER.....	1
15.	E27-8510	CLUTCH ACTUATOR, ELECTRIC.....	1
16.	E27-8520	CLUTCH PIVOT LINK.....	1
17.	E27-8532	CLUTCH PIVOT ARM.....	1
18.	E27-8550	PIVOT ARM BUSHING, SHORT.....	1
19.	E27-1160	5/16 MALE ROD END.....	4
	E00-3501	5/16 JAM NUT.....	4
20.	E27-8190	IDLER ARM PIVOT BUSHING.....	2
21.	E00-2531	BOLT AN5-22A 5/16 X 2-1/4.....	2
	E00-3500	5/16 FLOCK NUT.....	2
	E00-4502	5/16 LARGE WASHER.....	4
22.	E00-2538	BOLT AN5-35A 5/16 X 3-5/8.....	2
	E00-3500	5/16 FLOCK NUT.....	2
	E00-4502	5/16 LARGE WASHER.....	4
23.	E00-2410	BOLT AN4-16A 1/4 X 1-3/4.....	2
	E00-3402	1/4 FLOCK NUT.....	2
	E00-4401	1/4 FLAT WASHER.....	4
24.	E00-2525	BOLT 5/16 X 2-1/4 FULL THD.....	1
	E00-3502	5/16 JAM NUT.....	1
25.	E00-2505	BOLT AN5-7A 5/16 X 7/8.....	2
	E00-4501	5/16 FLAT WASHER.....	4
26.	E00-2522	BOLT AN5-30A 5/16 X 3.....	1
	E00-3500	5/16 FLOCK NUT.....	1
	E00-4501	5/16 FLAT WASHER.....	2
27.	E00-2400	BOLT AN4-11A 1/4 X 5/8.....	1
	E00-4401	1/4 FLAT WASHER.....	1
28.	E00-2202	BOLT 8-32 X 3/8 SHCS.....	4
		SAFETY WIRE	

REF. NO.	PART NO.	PART NAME	QTY.
29.	E00-2508	BOLT AN5-11A 5/16 X 1-1/8.....	1
	E00-3500	5/16 FLOCK NUT.....	1
	E00-4501	5/16 FLAT WASHER.....	2
30.	E00-2537	BOLT AN5-13A 5/16 X 1-3/8.....	2
	E00-3500	5/16 FLOCK NUT.....	1
	E00-4501	5/16 FLAT WASHER.....	3
31.	E00-2517	BOLT AN5-20A 5/16 X 2-1/16.....	1
	E00-3500	5/16 FLOCK NUT.....	1
	E00-4501	5/16 FLAT WASHER.....	2
32.	E00-3700	1/2 LOCK NUT.....	1
33.	E00-4700	1/2 FLAT WASHER.....	5
34.	E00-4710	BEVELED ID 1/2 FLAT WASHER.....	1
35.	E27-8560	PIVOT ARM BUSHING, LONG.....	1
36.	E27-8651	MICROSWITCH BRACKET.....	1
37.	E27-8631	ACTUATOR FRAME MOUNT.....	1
38.	E27-1210	CLUTCH IDLER SPRING.....	2
39.	E36-3030	MICROSWITCH.....	1
40.	E00-2407	BOLT AN4-13A 1/4 X 1-3/8.....	1
	E00-3402	1/4 FLOCK NUT.....	1
	E00-4401	1/4 FLAT WASHER.....	2
41.	E27-8555	ACTUATOR BUSHING.....	2
42.	E27-8565	FRAME MOUNT BUSHING.....	2
43.	E00-2303	BOLT AN3-6A 3/16 X 3/4.....	2
	E00-3301	3/16 FLOCK NUT.....	2
	E00-4301	3/16 FLAT WASHER.....	4
44.	E00-1000	#4-40 X 1" SCREW.....	2
	E00-3000	#4-40 FLOCK NUT.....	2



ROTORWAY HELICOPTER MANUFACTURING CO CHANDLER, ARIZONA			
SCALE: NONE	APPROVED BY:	DRAWN BY: RMR	
DATE: 2-29-08		REVISED: 9-18-17	
ENGINE, TORQUE LINK, ELECTRIC CLUTCH			
MODEL: A600	DRAWING NUMBER: E27-2000	REV: C	