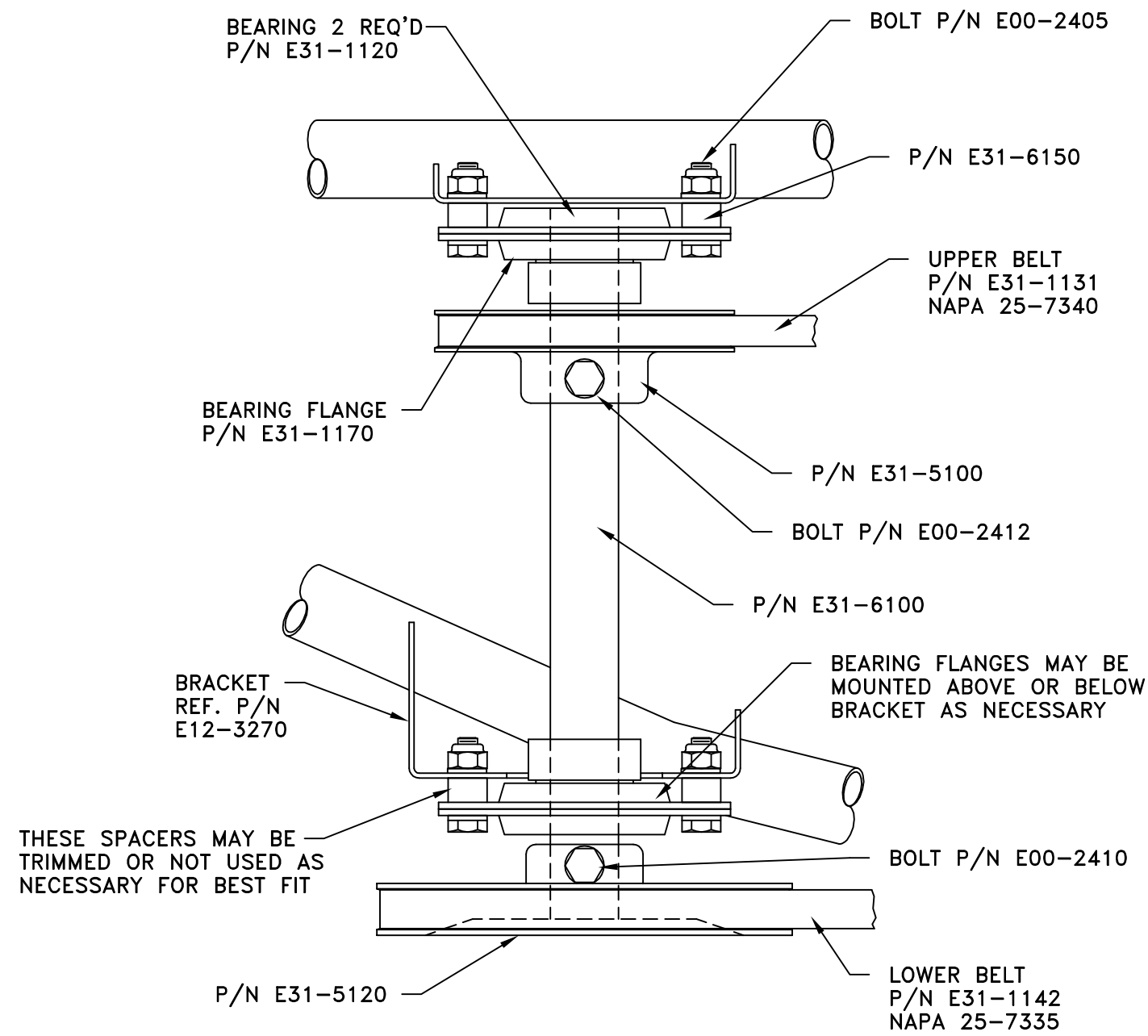
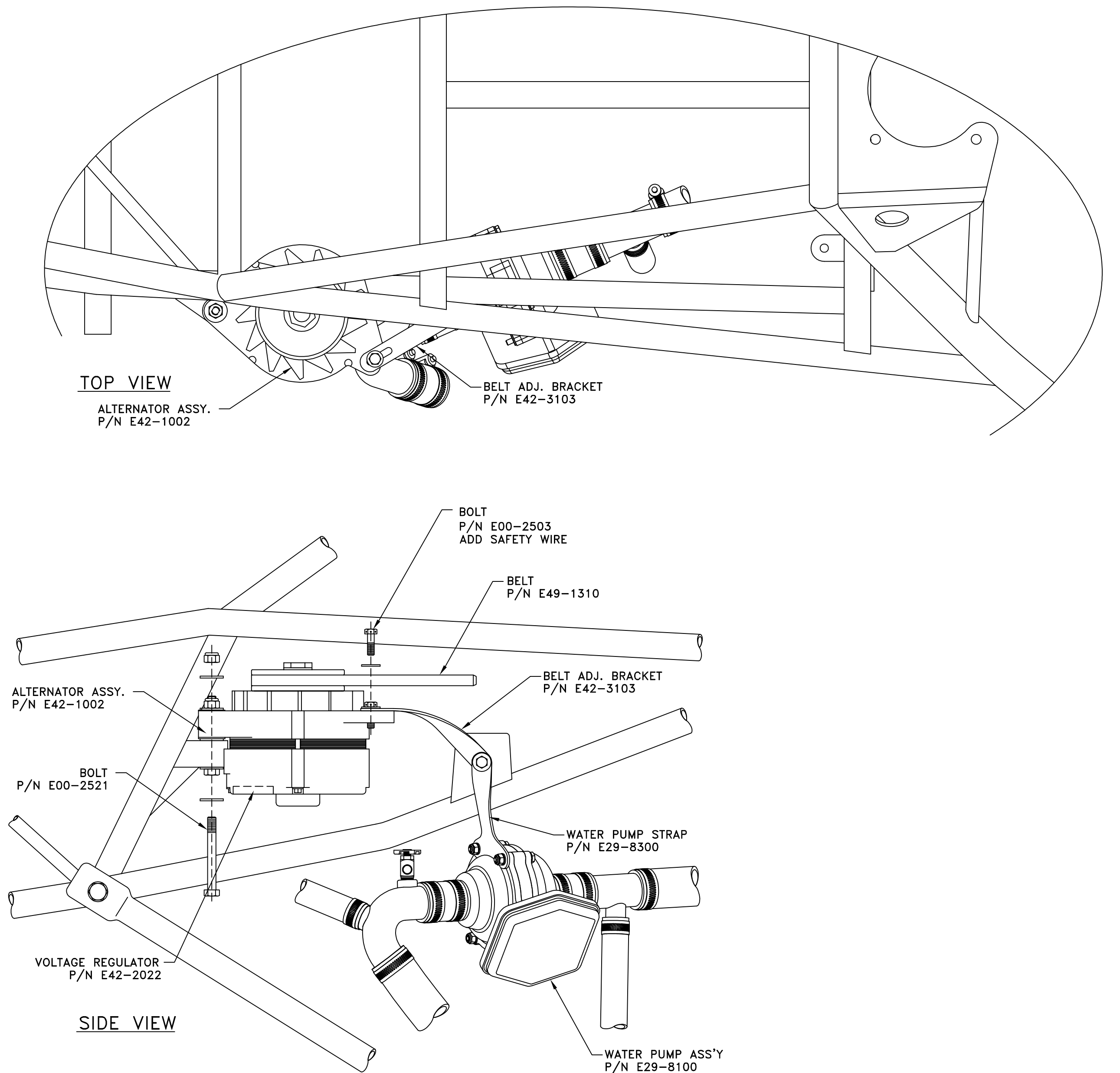


### FAN DRIVE COUNTERSHAFT



NOTE: SPACE PULLEYS APART TO MATCH CORRESPONDING DRIVE PULLEYS ON SECONDARY UNIT.

### WATER PUMP AND ALTERNATOR MOUNTING



|   |                             |                  |  |
|---|-----------------------------|------------------|--|
| ROTORWAY HELICOPTER MANUFACTURING CO<br>CHANDLER, ARIZONA     |                             |                  |  |
| SCALE: NONE   | APPROVED BY:                | DRAWN BY: RMR    |  |
| DATE: 3-4-08  |                             | REVISED: 3-20-17 |  |
| FAN DRIVE COUNTERSHAFT, WATER<br>PUMP AND ALTERNATOR MOUNTING |                             |                  |  |
| MODEL:<br>A600  | DRAWING NUMBER:<br>E31-2000 | REV:<br>A        |  |