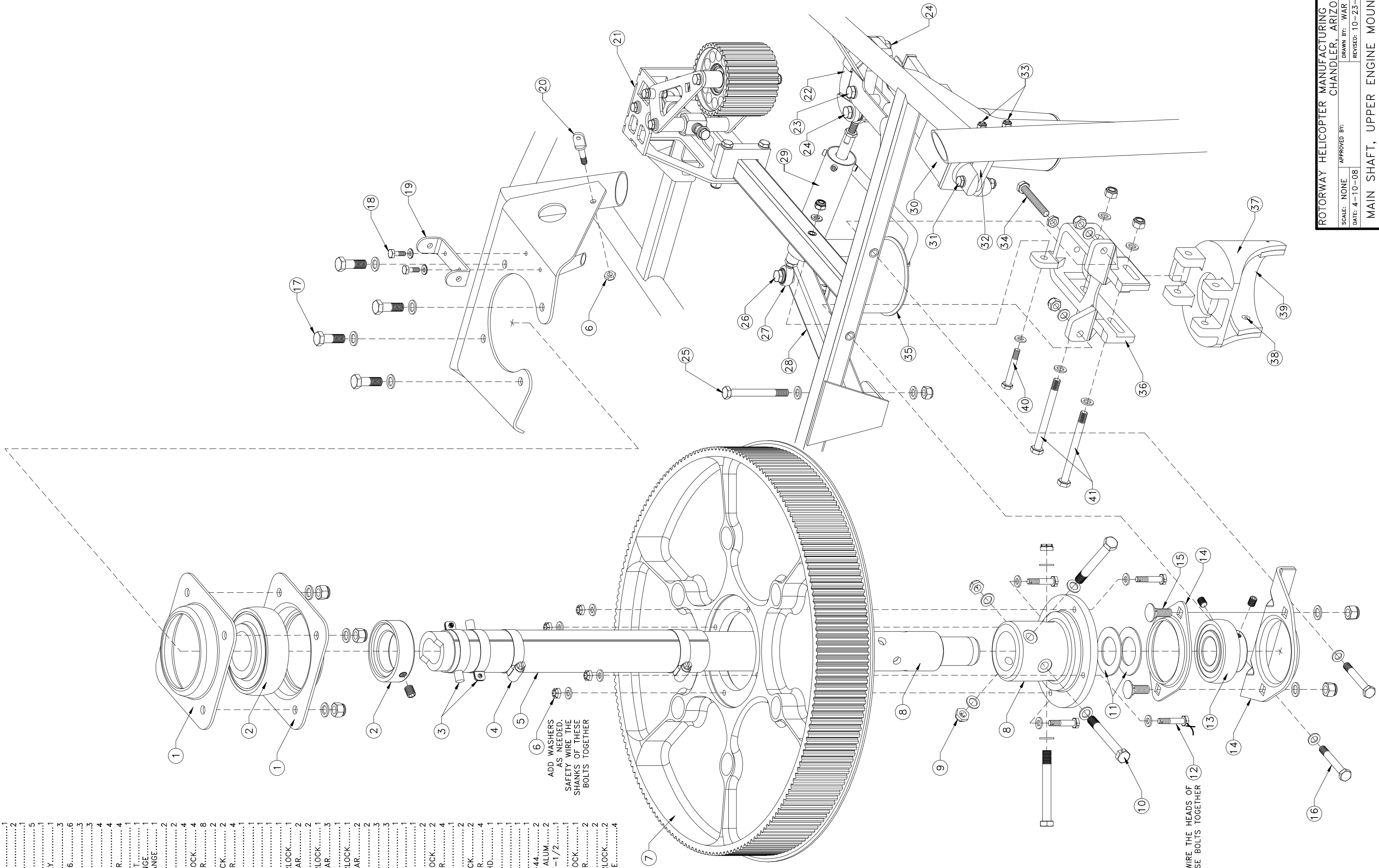


REF. NO.	PART NO.	PART NAME	QTY.
1.	E49-1230	MAIN BEARING FLANGE.....	2
2.	E49-1220	MAIN THRUST BEARING W/LOCK RING.....	1
3.	E36-1712	ROTOR TACH MAGNET BRACELET.....	1
4.	E00-9028	HOSE CLAMP #28.....	2
5.	E49-1260	MAIN SHAFT SAFETY SPACER.....	1
6.	E00-3410	1/4 THIN LOCKNUT ALL METAL.....	5
7.	E49-8100	MAIN SPROCKET ASSEMBLY.....	1
8.	E49-7000	MAIN ROTOR SHAFT/HUB ASSEMBLY.....	1
9.	E00-3602	NUT 3/8 LOCKNUT ALL METAL.....	3
10.	E00-4600	WASHER 3/8 REGULAR AN960-616.....	6
11.	E00-2608	BOLT 3/8 X 3-1/8 CLOSE TOL.....	3
12.	E00-4851	WASHER 1-1/4 X 1-3/4.....	3
13.	E00-2450	BOLT AN4H12 1/4 X 1-1/4.....	4
14.	E00-4400	WASHER AN960-416L 1/4 THIN.....	4
15.	E00-4401	WASHER AN960-416 1/4 REGULAR.....	4
16.	E49-1251	LOWER MAINSHAFT BEARING.....	1
17.	E49-9001	LOWER BEARING FLANGE WELDMENT.....	1
18.	E49-9100	MAIN SHAFT LOWER BEARING FLANGE.....	1
19.	E49-1246	MAIN SHAFT LOWER BRG. TOP FLANGE.....	1
20.	E00-2622	CARRIAGE BOLT 3/8-16 X 1.....	2
21.	E00-2531	BOLT AN5-22A 5/16 X 2-1/4.....	2
22.	E00-2602	BOLT AN6-11A 3/8 X 1-1/8.....	4
23.	E00-3600	NUT AN365-624A 3/8-24 FIBERLOCK.....	4
24.	E00-4600	WASHER AN960-616 3/8 REGULAR.....	8
25.	E00-3301	NUT AN3-5A 3/16 X 5/8.....	2
26.	E00-4301	WASHER AN960-10 3/16 FIBERLOCK.....	2
27.	E00-1380	COLLECTIVE SCISSOR MOUNT.....	4
28.	E00-2434	EYE BOLT AN4-384A 1/4 X 1/2.....	1
29.	E49-8600	COG BELT TENSIONER ASSEMBLY.....	1
30.	E27-8520	CLUTCH PIVOT LINK.....	1
31.	E00-2508	BOLT AN5-11A 5/16 X 1-1/8.....	2
32.	E00-3500	NUT AN365-524A 5/16-24 FIBERLOCK.....	1
33.	E00-4501	WASHER AN960-516 5/16 REGULAR.....	2
34.	E00-2537	BOLT AN5-13A 5/16 X 1-3/8.....	2
35.	E00-3500	NUT AN365-524A 5/16-24 FIBERLOCK.....	3
36.	E00-4501	WASHER AN960-516 5/16 REGULAR.....	3
37.	E00-2522	BOLT AN5-30A 5/16 X 3.....	1
38.	E00-3500	NUT AN365-524A 5/16-24 FIBERLOCK.....	1
39.	E00-4501	WASHER AN960-516 5/16 REGULAR.....	2
40.	E00-2505	BOLT AN5-7A 5/16 X 7/8.....	2
41.	E27-1160	ROD END MALE 5/16.....	3
42.	E00-3501	NUT AN316-5R 5/16 JAM.....	3
43.	E27-8100	IDLER ARM WELDMENT.....	1
44.	E27-8570	CLUTCH SPRING TUBE WELDMENT.....	1
45.	E27-8510	CLUTCH ACTUATOR, ELECTRIC.....	1
46.	E00-2410	BOLT AN4-16A 1/4 X 1-3/4.....	2
47.	E00-3402	NUT AN365-428A 1/4-28 FIBERLOCK.....	2
48.	E00-4401	ACTUATOR FRAME MOUNT.....	4
49.	E27-8631	ACTUATOR FRAME MOUNT.....	1
50.	E00-2303	BOLT AN3-6A 3/16 X 3/4.....	2
51.	E00-3301	NUT AN365-1032A 3/16 FIBERLOCK.....	2
52.	E00-4301	WASHER AN960-10 3/16 REGULAR.....	4
53.	E00-2525	BOLT 5/16-24 X 2-1/4 FULL THD.....	1
54.	E00-3501	NUT AN316-5R 5/16 JAM.....	1
55.	E27-8140	IDLER PULLEY ASSEMBLY.....	1
56.	E24-5110	UPPER ENGINE MOUNT CLEVIS.....	1
57.	E49-5100	UPPER ENGINE MOUNT CUP.....	1
58.	E00-6208	RIVET 1/8X 1/4 ALUM. POP AAP-44.....	2
59.	E00-4100	WASHER 1/8 POP RIVET BACKUP ALUM.....	2
60.	E24-1611	RUBBER STRIP 1/4 X 1-1/2 X 7-1/2.....	1
61.	E00-2410	BOLT AN4-16A 1/4 X 1-3/4.....	1
62.	E00-3402	NUT AN365-428A 1/4-28 FIBERLOCK.....	1
63.	E00-4401	WASHER AN960-416 1/4 REGULAR.....	2
64.	E00-2538	BOLT AN5-35A 5/16 X 3-5/8.....	2
65.	E00-3500	NUT AN365-524A 5/16-24 FIBERLOCK.....	2
66.	E00-4502	WASHER MS27183-11 5/16 LARGE.....	4

ADD WASHERS AS NEEDED. SAFETY WIRE THE SHANKS OF THESE BOLTS TOGETHER

SAFETY WIRE THE HEADS OF THESE BOLTS TOGETHER



ROTORWAY HELICOPTER MANUFACTURING CO
 CHANDLER, ARIZONA
 SCALE: NONE APPROVED BY:
 DATE: 4-10-08 DRAWN BY: WAR
 MODEL: MAIN SHAFT, UPPER ENGINE MOUNT REVISED: 10-23-18
 A600 DRAWING NUMBER: E49-2001 REV: B