

REF. NO.	PART NO.	PART NAME	QTY.
	E09-9000	TAIL BOOM ASSEMBLY.....	1
1.	E00-2432	BOLT 1/4 X 1-1/4.....	8
2.	E00-6203	1/8 X 1/2 STEEL POP RIVET.....	8
3.	E00-6201	1/8 X 1/8 STEEL POP RIVET.....	8
4.	E00-6202	1/8 X 1/4 STEEL POP RIVET.....	8
5.	E00-2303	BOLT 3/16 X 3/4.....	4
6.	E00-2307	BOLT 3/16 X 1/2.....	4
7.	E00-2307	BOLT 3/16 X 1-3/8.....	6
8.	E09-3221	TAIL BOOM ATTACH. BRACKET UPPER.....	2
9.	E09-3231	TAIL BOOM ATTACH. BRACKET LOWER.....	2
10.	E00-2604	BOLT 3/8 X 2-1/2.....	2
11.	E00-2414	BOLT 1/4 X 2-3/8.....	2
12.	E00-2405	BOLT 1/4 X 1.....	4
13.	E18-2012	T/R IDLER PULLEY ASS'Y.....	2
14.	E08-6120	IDLER ARM SPOOL.....	2
15.	E18-6130	IDLER PULLEY MOUNTING SCISSORS.....	4
16.	E09-4100	MAIN TAIL BOOM BULKHEAD.....	1
17.	E09-5100	2ND TAIL BOOM BULKHEAD.....	2
18.	E09-5110	3RD TAIL BOOM BULKHEAD.....	3
19.	E09-5120	4TH TAIL BOOM BULKHEAD.....	6
20.	E09-3252	VERT TRIM FIN ATTACH. BRACKET.....	2
21.	E09-3191	SLIDER STRINGER CROSS BRACE.....	2
22.	E09-3180	T/R ADJ. ROD MOUNT ANGLE(MAKES 2).....	1
23.	E09-3170	TAIL ROTOR SLIDER STRINGER.....	8
24.	E09-3004	TAIL BOOM SKIN.....	1
25.	E18-1150	TAIL ROTOR BELT 118".....	2
26.	E18-1160	TAIL ROTOR BELT 112".....	1
27.	E09-3120	INSPECTION DOOR.....	2
28.	E00-8000	DZUS BUTTON.....	8
29.	E09-3111	TUNNEL COVER 23-3/8".....	1
	E09-3112	TUNNEL COVER 39".....	1
	E09-3113	TUNNEL COVER 44".....	1
30.	E09-3150	STRINGER #1.....	1
31.	E09-3150	STRINGER #2.....	1
32.	E09-3160	STRINGER #3.....	1
33.	E09-3150	STRINGER #4.....	1
34.	E09-3160	STRINGER #5.....	1
35.	E09-3160	STRINGER #6.....	1
36.	E18-6111	T/R IDLER PULLEY SPACER.....	4
37.	E00-2308	BOLT 3/16 X 1-5/8.....	2

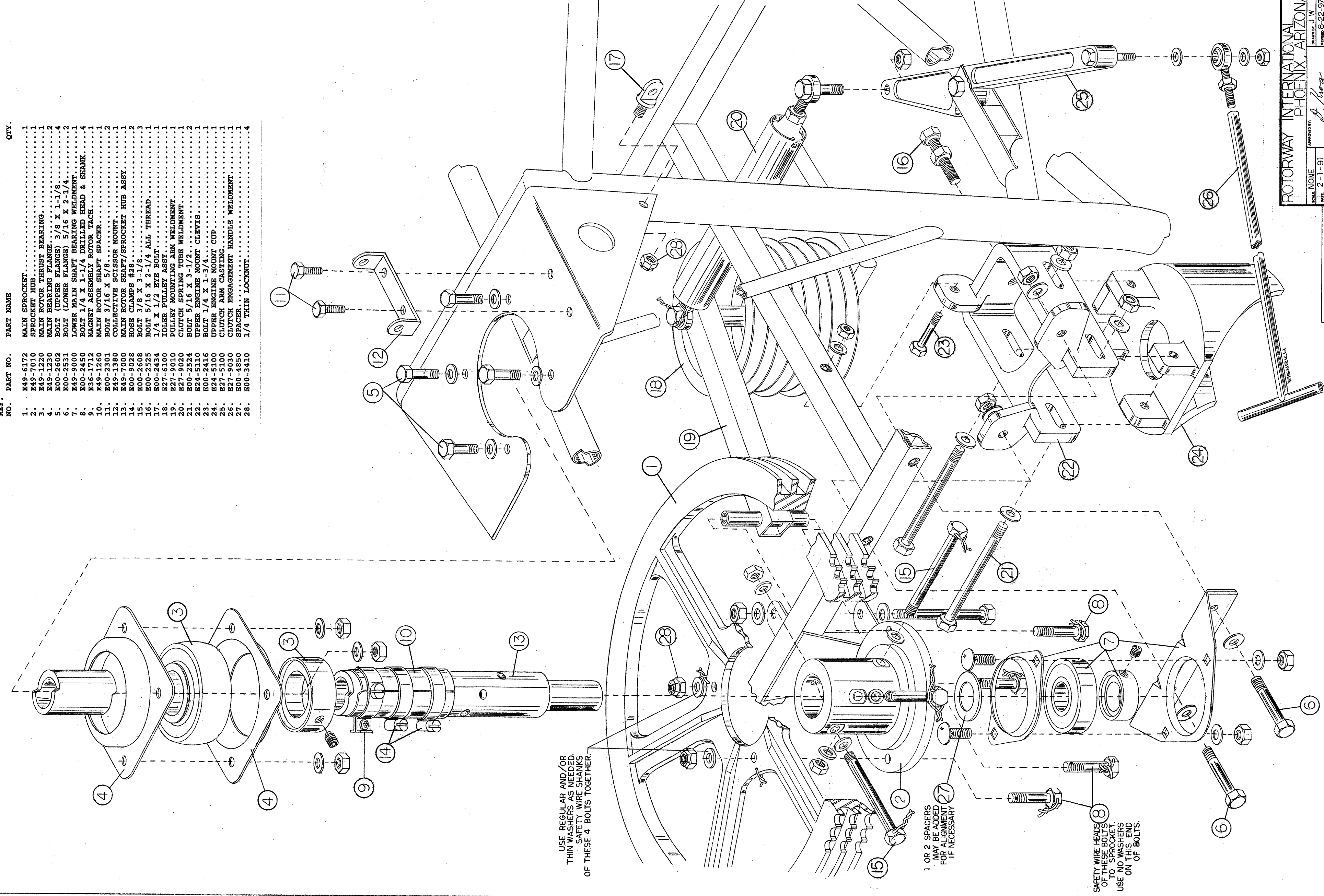
ROTORWAY INTERNATIONAL  
CHANDLER, ARIZONA

SCALE: NONE APPROVED BY: DRAWN BY: WAR  
DATE: 3-8-01 REVISED:

**TAIL BOOM ASSEMBLY**

DRAWING NUMBER:  
E09-2000

REF. NO.	PART NO.	PART NAME	QTY.
1.	E49-6172	MAIN SPROCKET.....	1
2.	E49-7010	SPROCKET HUB.....	1
3.	E49-1220	MAIN ROTOR THRUST BEARING.....	1
4.	E49-1230	MAIN BEARING FLANGE.....	2
5.	E00-2602	BOLT (UPPER FLANGE) 3/8 X 1-1/8.....	2
6.	E00-2531	BOLT (LOWER FLANGE) 5/16 X 2-1/4.....	4
7.	E49-9000	LOWER MAIN SHAFT BEARING WELDMENT.....	4
8.	E00-2450	BOLT 1/4 X 1-1/4 DRILLED HEAD & SHANK.....	1
9.	E36-1712	MAGNET ASSEMBLY ROTOR TACH.....	1
10.	E49-1260	MAIN ROTOR SHAFT SPACER.....	1
11.	E00-2301	BOLT 3/16 X 5/8.....	2
12.	E49-1380	COLLECTIVE SCISSOR MOUNT.....	1
13.	E49-7000	MAIN ROTOR SHAFT/SPROCKET HUB ASSY.....	1
14.	E00-9028	HOSE CLAMPS #28.....	2
15.	E00-2608	BOLT 3/8 X 3-1/8.....	3
16.	E00-2525	BOLT 5/16 X 2-1/4 ALL THREAD.....	1
17.	E00-2434	1/4 X 1/2 EYE BOLT.....	1
18.	E27-6100	IDLER PULLEY ASSY.....	1
19.	E27-9010	PULLEY MOUNTING ARM WELDMENT.....	1
20.	E27-9020	CLUTCH SPRING TUBE WELDMENT.....	1
21.	E00-2524	BOLT 5/16 X 3-1/2.....	2
22.	E24-5110	UPPER ENGINE MOUNT CLEVIS.....	1
23.	E00-2416	BOLT 1/4 X 1-3/4.....	1
24.	E24-5100	UPPER ENGINE MOUNT CUP.....	1
25.	E27-5100	CLUTCH ARM CASTING.....	1
26.	E27-9030	CLUTCH ENGAGEMENT HANDLE WELDMENT.....	1
27.	E00-4850	SPACER.....	1
28.	E00-3410	1/4 THIN LOCKNUT.....	4



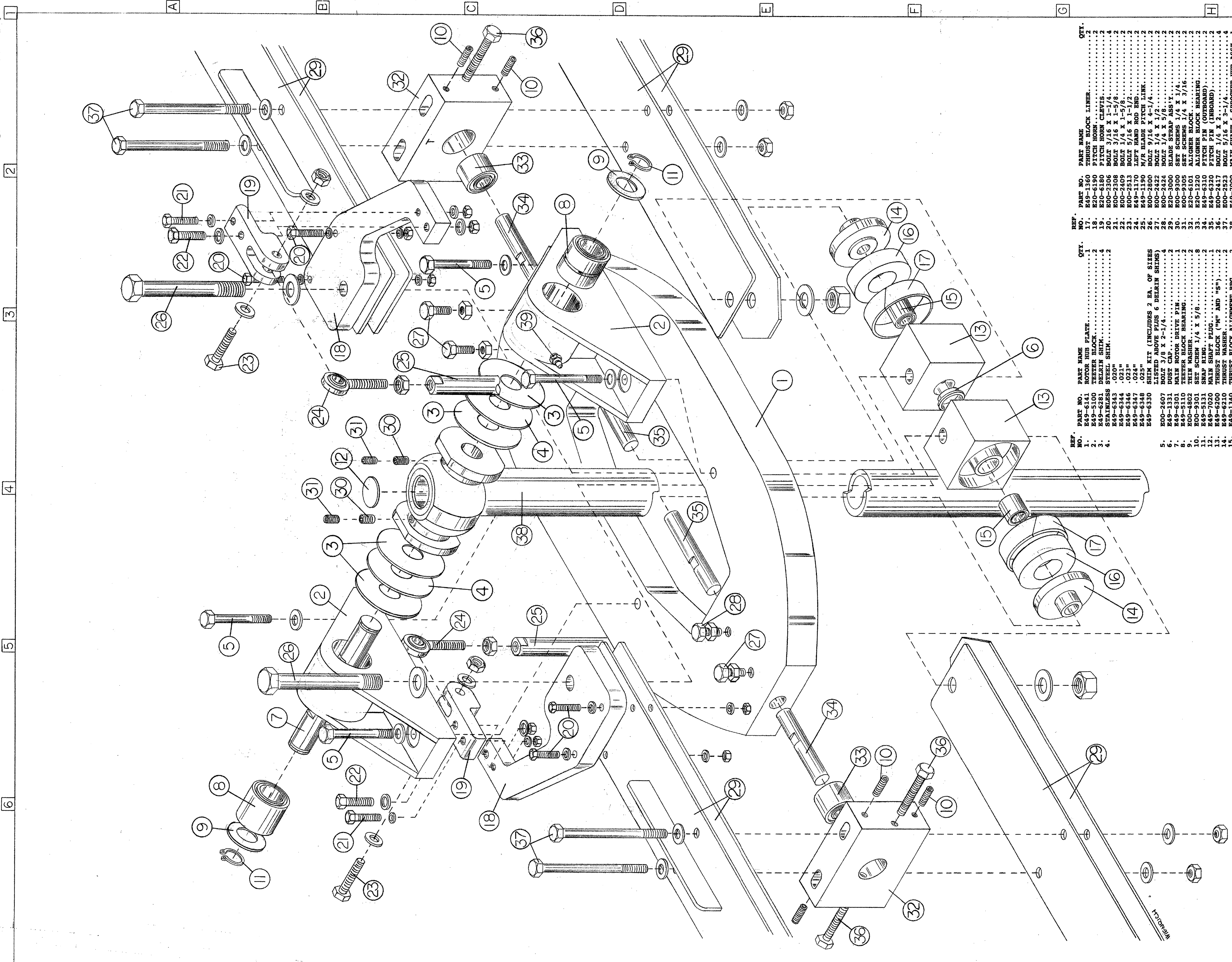
USE REGULAR AND/OR THIN WASHERS AS NEEDED. SAFETY WIRE SHANKS OF THESE 4 BOLTS TOGETHER.

1 OR 2 SPACERS MAY BE ADDED FOR ALIGNMENT IF NECESSARY

SAFETY WIRE HEADS OF THESE BOLTS TO SPROCKET. USE NO WASHERS ON THIS END OF BOLTS.

ROTORWAY INTERNATIONAL  
 PHOENIX, ARIZONA  
 DRAWN BY: J. W.  
 SCALE: NONE  
 DATE: 2-1-91  
 REVISED: 6-22-97  
 ELASTOMERIC MAIN SHAFT ENGINE  
 CLUTCH, UPPER ENGINE MOUNT  
 E49-2001-4

8-22-97 REVISION 4: UPDATED PART #5  
 10-29-94 REVISION 3: ADD EYE BOLT (17)  
 9-11-92 REVISION 2: SAFETY WIRE (8)  
 3-6-92 REVISION 1: ADD SPACER (27)



REF. NO.	PART NAME	QTY.
17.	E49-1360 THURST BLOCK LINER.....	2
18.	E20-6190 PITCH HORN.....	2
19.	E20-6180 PITCH HORN CLEVIS.....	2
20.	E00-2306 BOLT 3/16 X 1-1/4.....	4
21.	E00-2308 BOLT 3/16 X 1-5/8.....	2
22.	E00-2409 BOLT 1/4 X 1-5/8.....	2
23.	E00-2410 BOLT 1/4 X 1-5/8.....	2
24.	E49-1170 LEFT HAND ROD END.....	2
25.	E49-1190 M/R BLADE PITCH LINK.....	2
26.	E00-2800 BOLT 9/16 X 4-1/4.....	2
27.	E00-2422 BOLT 1/4 X 1/2.....	2
28.	E00-2424 BOLT 1/4 X 5/8.....	2
29.	E20-3000 BLADE STRAP ASS'Y.....	2
30.	E00-9300 SET SCREWS 1/4 X 1/4.....	2
31.	E00-9300 SET SCREWS 1/4 X 3/16.....	2
32.	E20-6101 ALIGNER BLOCK.....	2
33.	E20-1220 ALIGNER BLOCK BEARING.....	2
34.	E49-6310 PITCH PIN (OUTBOARD).....	2
35.	E49-6320 PITCH PIN (INBOARD).....	2
36.	E00-2417 BOLT 1/4 X 2.....	4
37.	E00-2523 BOLT 5/16 X 3-1/4.....	4
38.	E49-7000 MAIN SHAFT & SPROCKET HUB ASSY.....	1
39.	E49-5140 GREASE ZERK.....	2

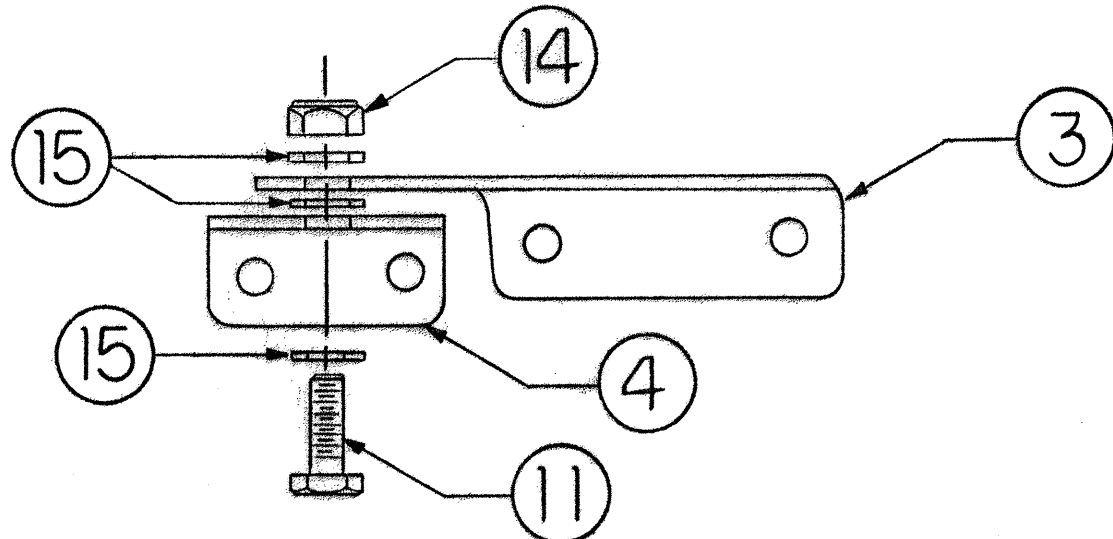
  

REF. NO.	PART NAME	QTY.
1.	E49-6141 ROTOR HUB PLATE.....	1
2.	E49-5100 TEEFER BLOCK.....	2
3.	E49-6281 DELRIN SHIM.....	4
4.	STAINLESS STEEL SHIM.....	2
	E49-6343 .020".....	
	E49-6344 .024".....	
	E49-6347 .024".....	
	E49-6348 .025".....	
	E49-6330 SHIM KIT (INCLUDES 2 EA. OF SIZES LISTED ABOVE PLUS 6 DELRIN SHIMS)	
5.	E00-2607 BOLT 3/8 X 2-1/4.....	4
6.	E49-1331 DUST CAP.....	2
7.	E49-5111 MAIN ROTOR DRIVE PIN.....	1
8.	E49-5111 MAIN ROTOR DRIVE PIN.....	1
9.	E00-4802 THIN WASHER.....	2
10.	E00-9301 SET SCREW 1/4 X 5/8.....	8
11.	E49-5131 SNAP RING.....	2
12.	E49-7020 MAIN SHAFT PLUG.....	1
13.	E49-6200 THRUST BLOCK ("M" AND "S").....	2
14.	E49-6210 THRUST WASHER.....	2
15.	E49-1340 THRUST BLOCK ALIGNMENT BRG.....	2
16.	E20-1400 ELASTOMERIC THRUST BEARING.....	2

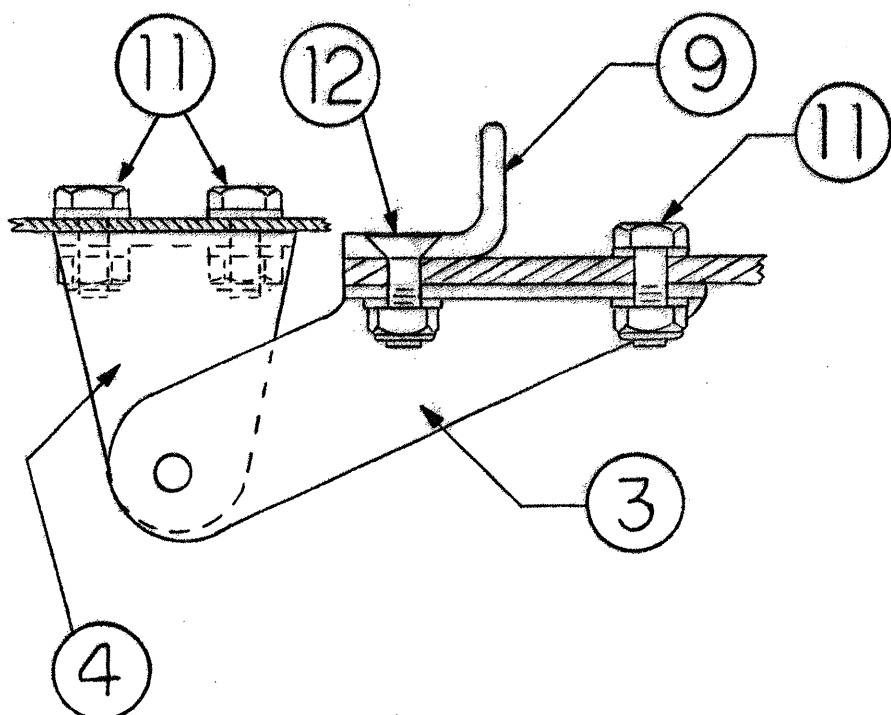
ROTORWAY INTERNATIONAL  
 PHOENIX, ARIZONA  
 SCALE NONE  
 DATE 2-1-91  
 DRAWN BY J.W.  
 REVISED 3-1-93  
 ELASTOMERIC ROTOR HUB  
 PART NUMBER E49-2000-2

5-1-93 REVISION 2: STAINLESS STEEL SHIMS @  
 5-9-91 REVISION 1: 3/4 INCH M.R. DRIVE PIN @

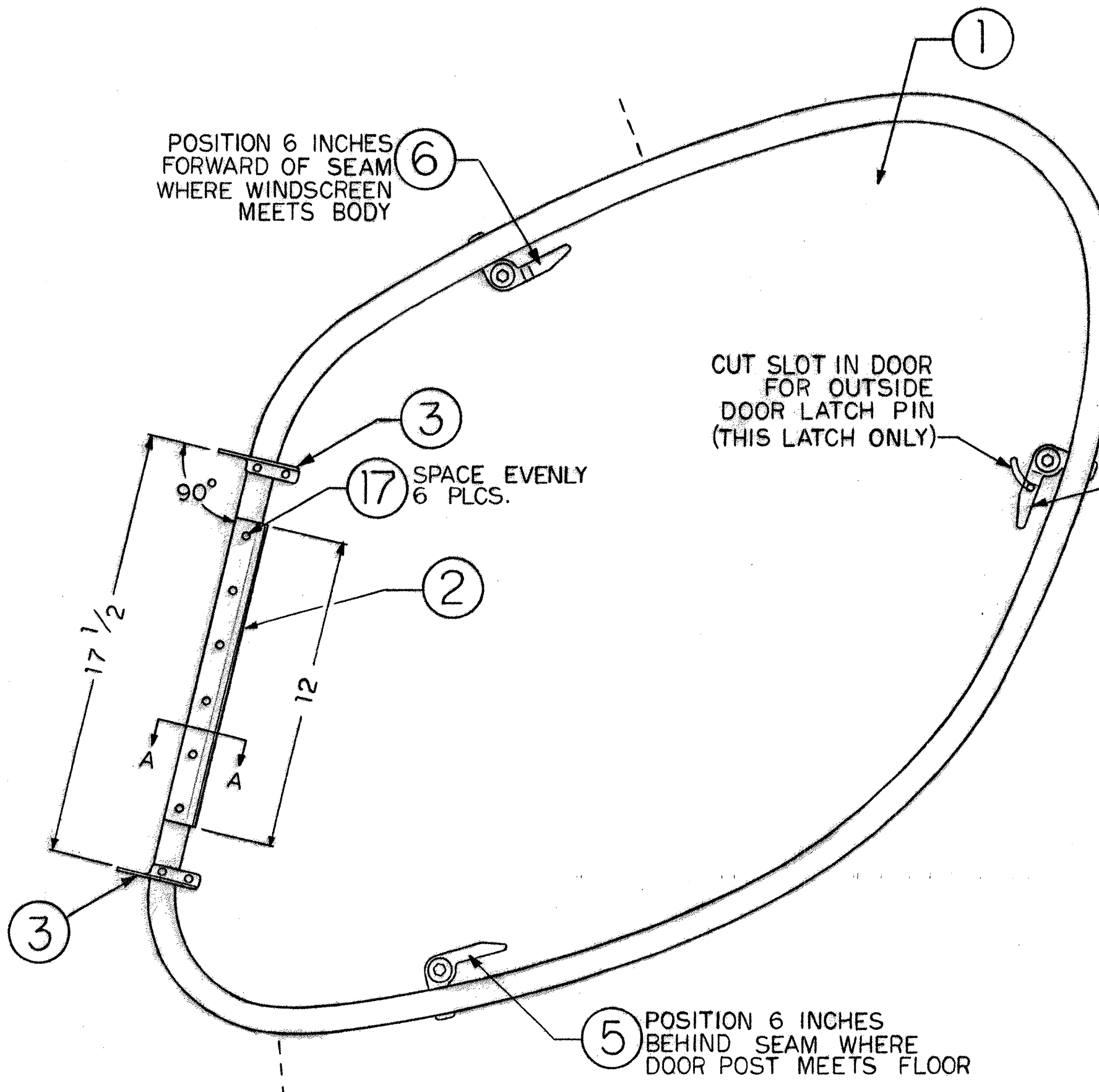
### SIDE VIEW BODY AND DOOR HINGES



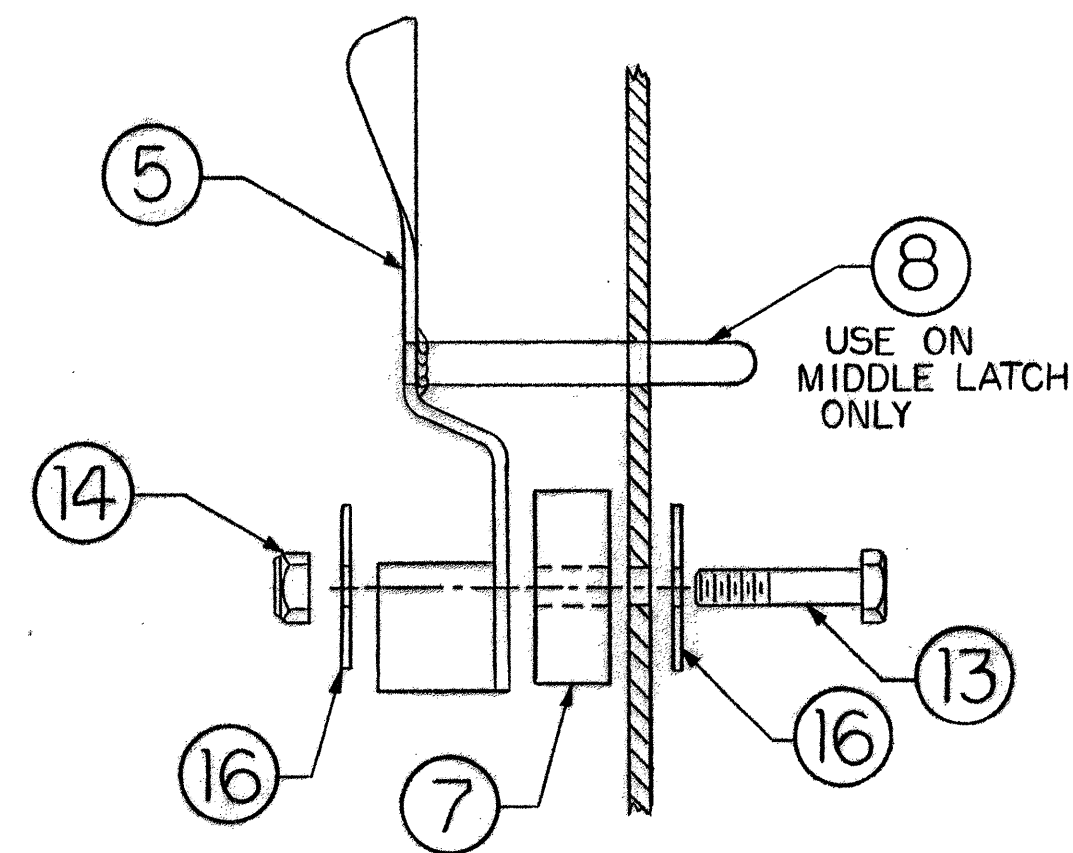
### TOP VIEW BODY AND DOOR HINGES



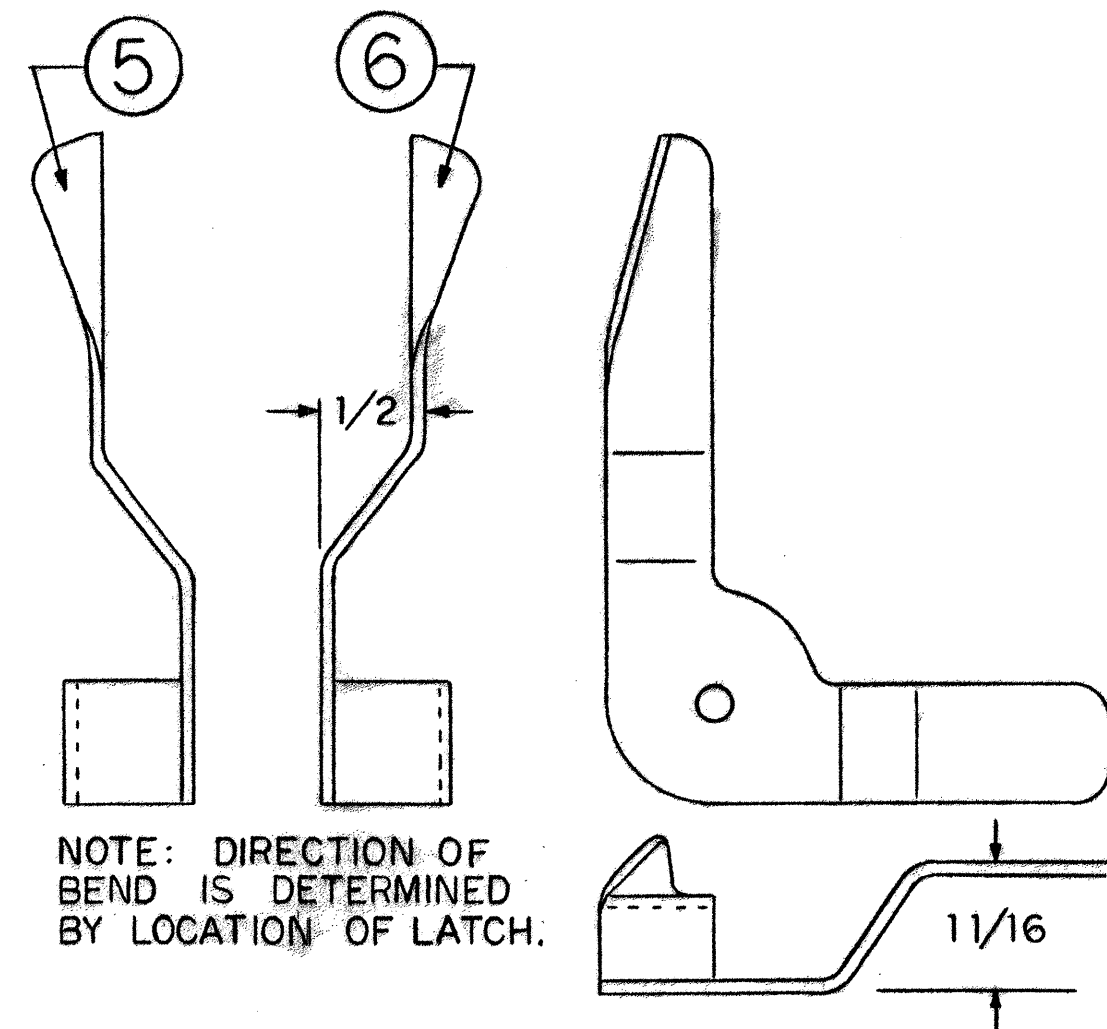
POSITION 6 INCHES  
FORWARD OF SEAM  
WHERE WINDSCREEN  
MEETS BODY



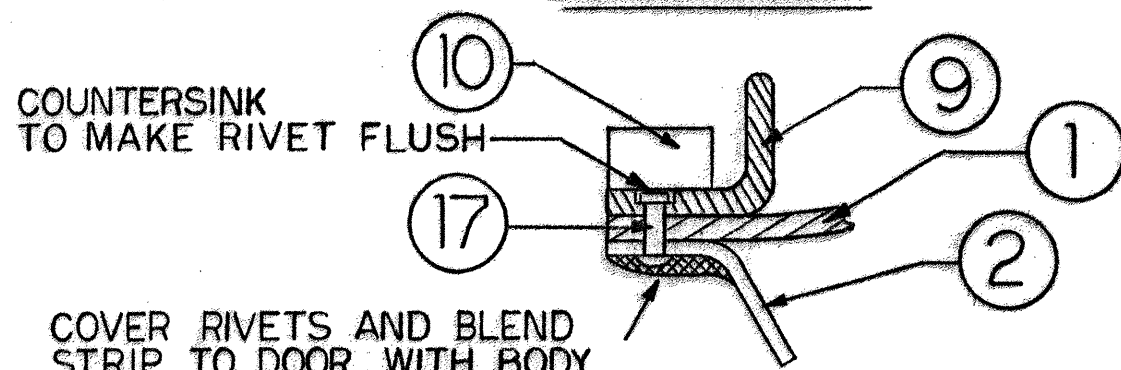
### LATCH INSTALLATION



### DOOR LATCHES



### SECTION A-A



REF. NO.	PART NO.	PART NAME	QTY.
1.	E41-7120	DOOR - PILOT'S SIDE.....	1
2.	E41-3130	STALL STRIP.....	2
3.	E41-3110	DOOR HINGE.....	4
4.	E41-3120	BODY HINGE.....	4
5.	E41-1170	DOOR LATCH LEFT.....	3
6.	E41-1180	DOOR LATCH RIGHT.....	3
7.	E41-2200	DOOR LATCH SPACER.....	6
8.	E41-3100	OUTSIDE DOOR LATCH PIN.....	2
9.	E41-7140	DOOR STIFFENER-PILOT'S SIDE..	1
10.	E41-1120	WEATHER STRIPPING (17 FT.)...	1
11.	E00-2300	BOLT 3/16 x 1/2.....	16
12.	E00-2302	SCREW 3/16 x 5/8 CSK.....	4
13.	E00-2304	BOLT 3/16 x 7/8.....	6
14.	E00-3301	3/16 FIBERLOCK NUT.....	26
15.	E00-4301	3/16 REGULAR WASHER.....	24
16.	E00-4302	3/16 LARGE WASHER.....	12
17.	E00-6206	ALUM. POP RIVET 1/8 x 1/4....	12

ROTORWAY INTERNATIONAL PHOENIX, ARIZONA		
SCALE: NONE	APPROVED BY: <i>[Signature]</i>	DRAWN BY WAR
DATE: 2-1-91		REVISED
<b>DOORS</b>		
DRAWING NUMBER E41-2000		

9

8

7

6

5

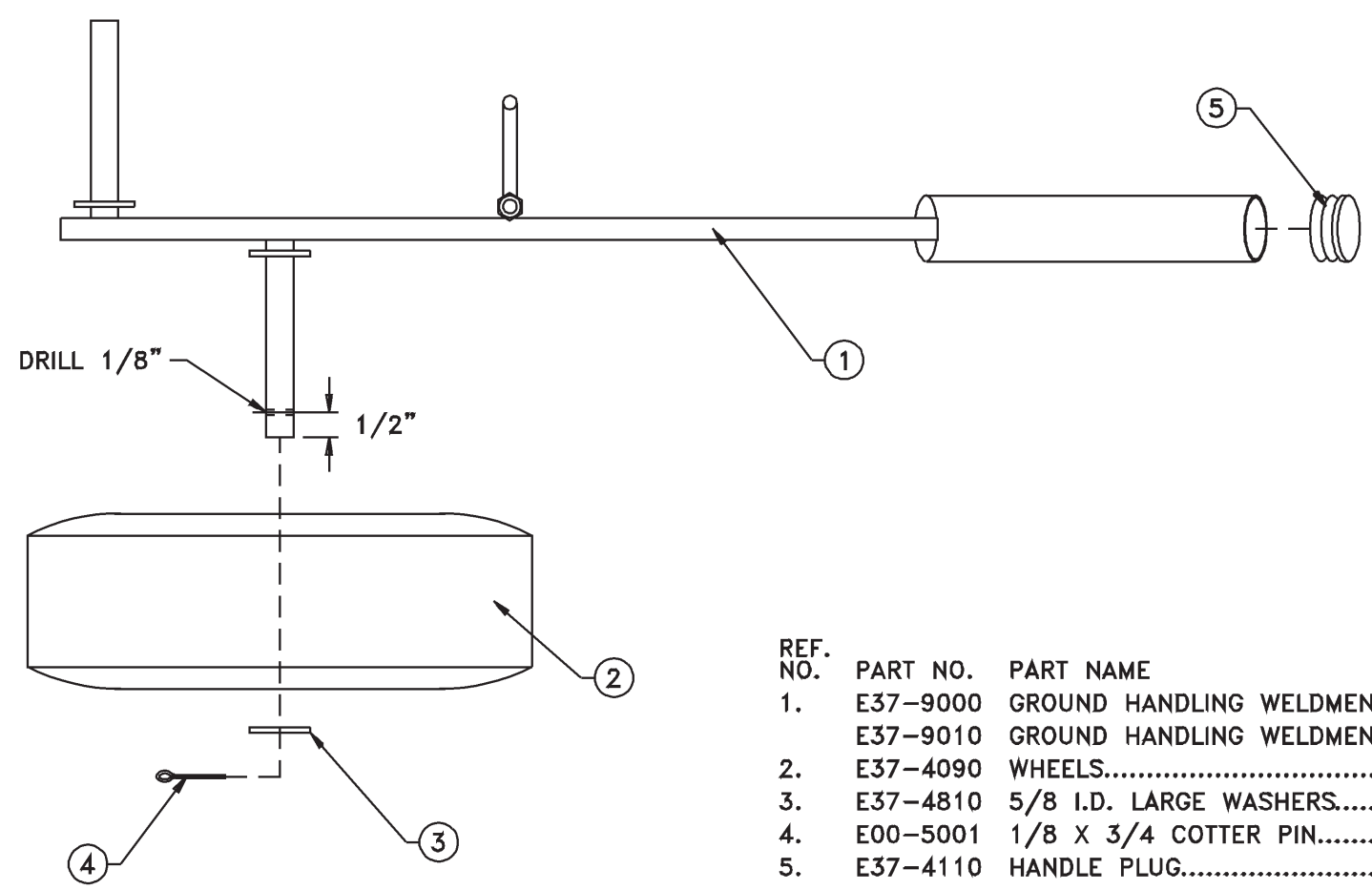
4

3

2

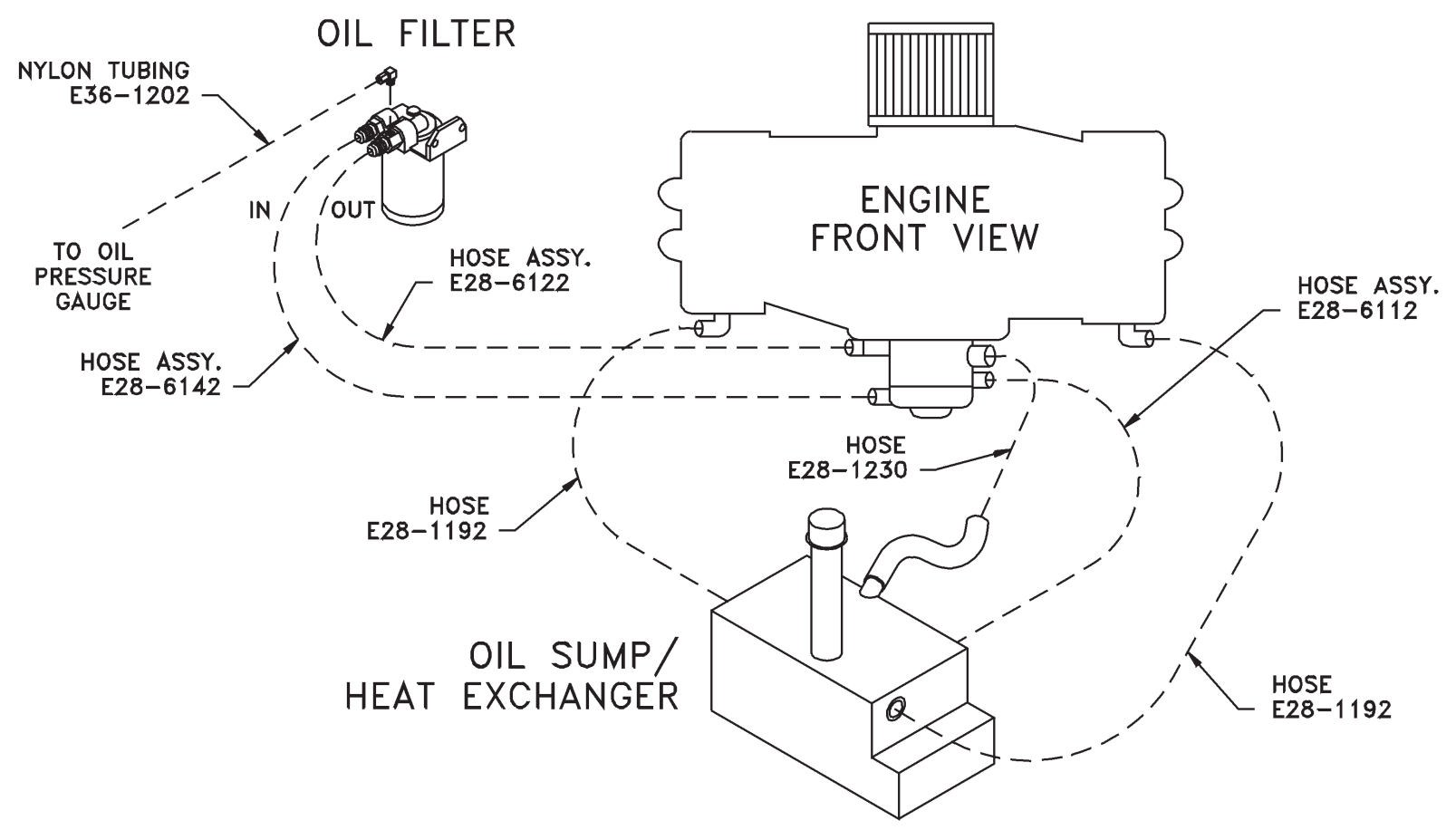
1

### GROUND HANDLING WHEELS

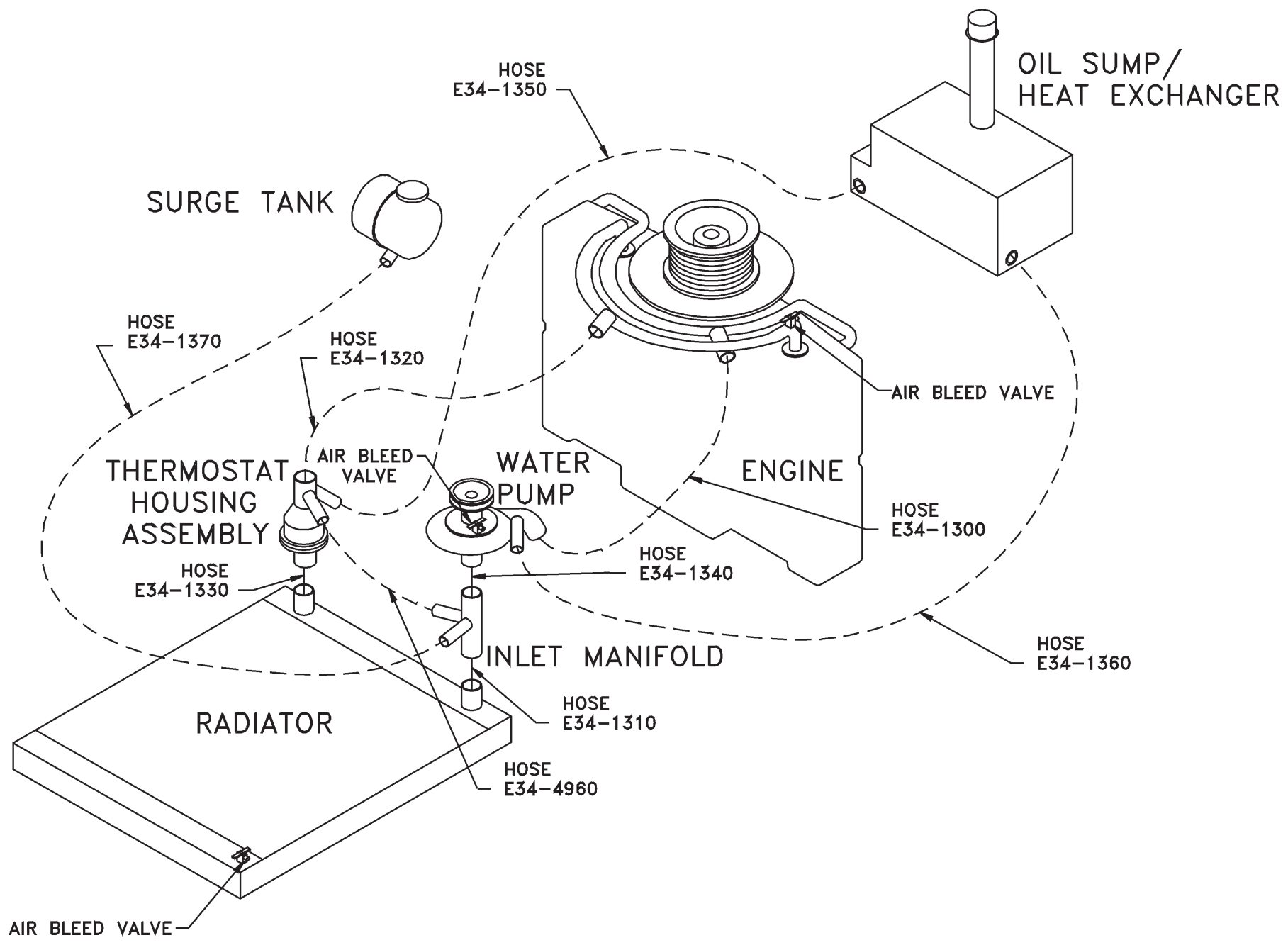


REF. NO.	PART NO.	PART NAME	QTY.
1.	E37-9000	GROUND HANDLING WELDMENT (PILOT) ...	1
	E37-9010	GROUND HANDLING WELDMENT (PASS) ...	1
2.	E37-4090	WHEELS.....	2
3.	E37-4810	5/8 I.D. LARGE WASHERS.....	2
4.	E00-5001	1/8 X 3/4 COTTER PIN.....	2
5.	E37-4110	HANDLE PLUG.....	2

### OIL SYSTEM



### COOLING SYSTEM



ROTORWAY INTERNATIONAL CHANDLER, ARIZONA		
SCALE: NONE	APPROVED BY:	DRAWN BY: WAR
DATE: 11-1-94		REVISED: 8-21-96
GROUND HANDLING WHEELS, OIL SYSTEM, COOLING SYSTEM		
DRAWING NUMBER: E37-2000-1		

8-21-96 REVISION 1: E34-4960 HOSE ADDED

A

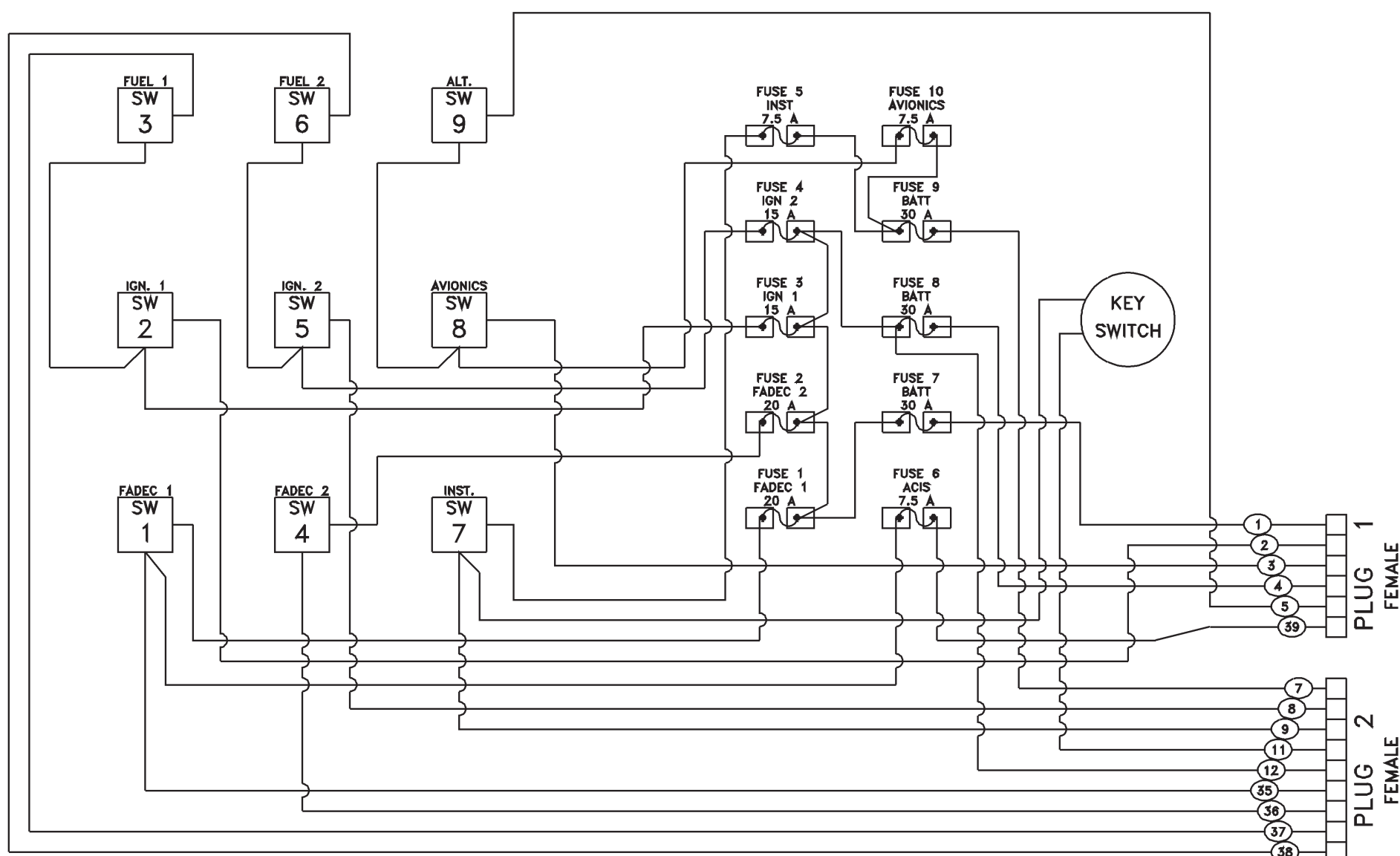
B

C

D

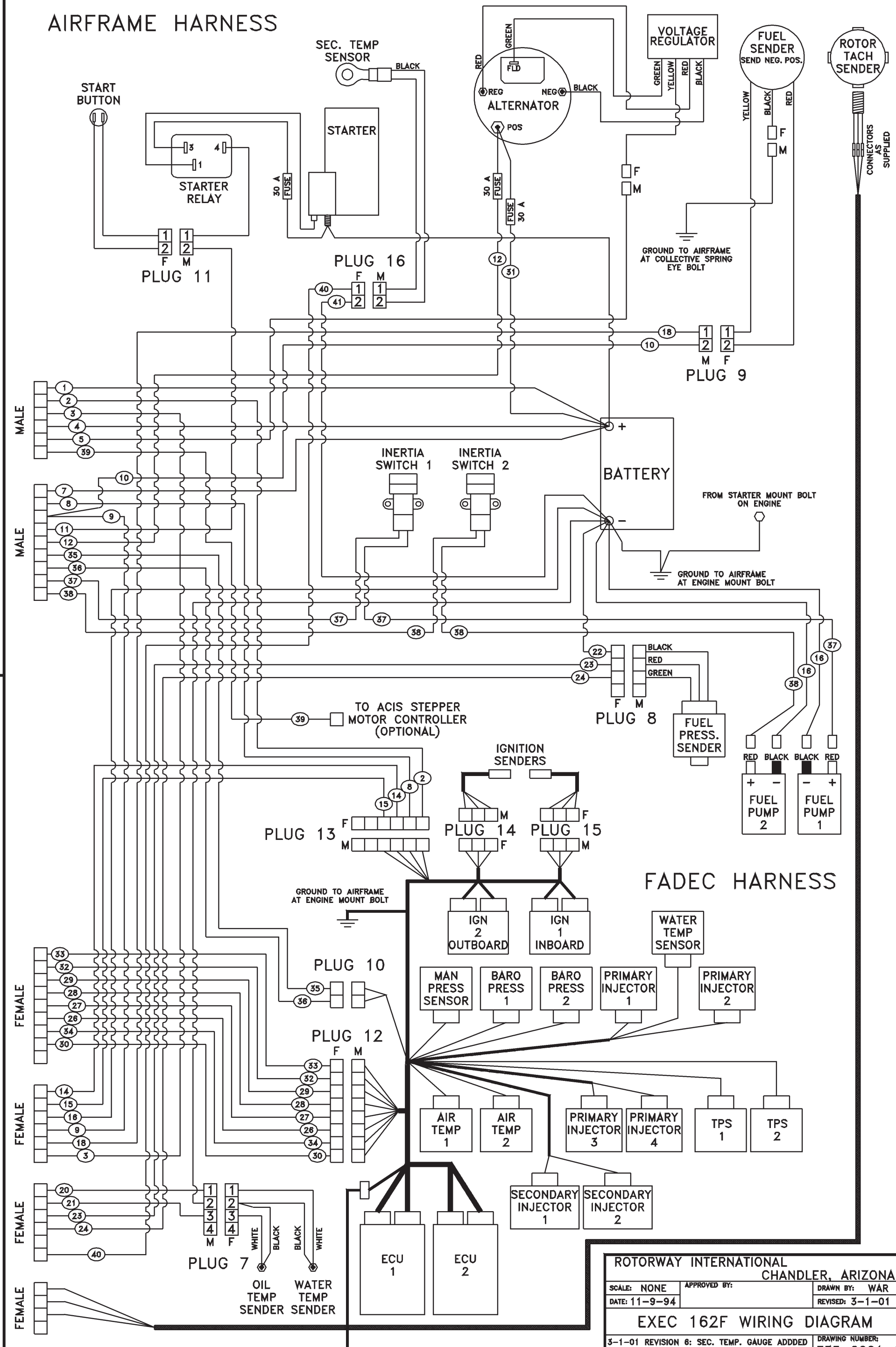
E

# OVERHEAD SWITCH PANEL

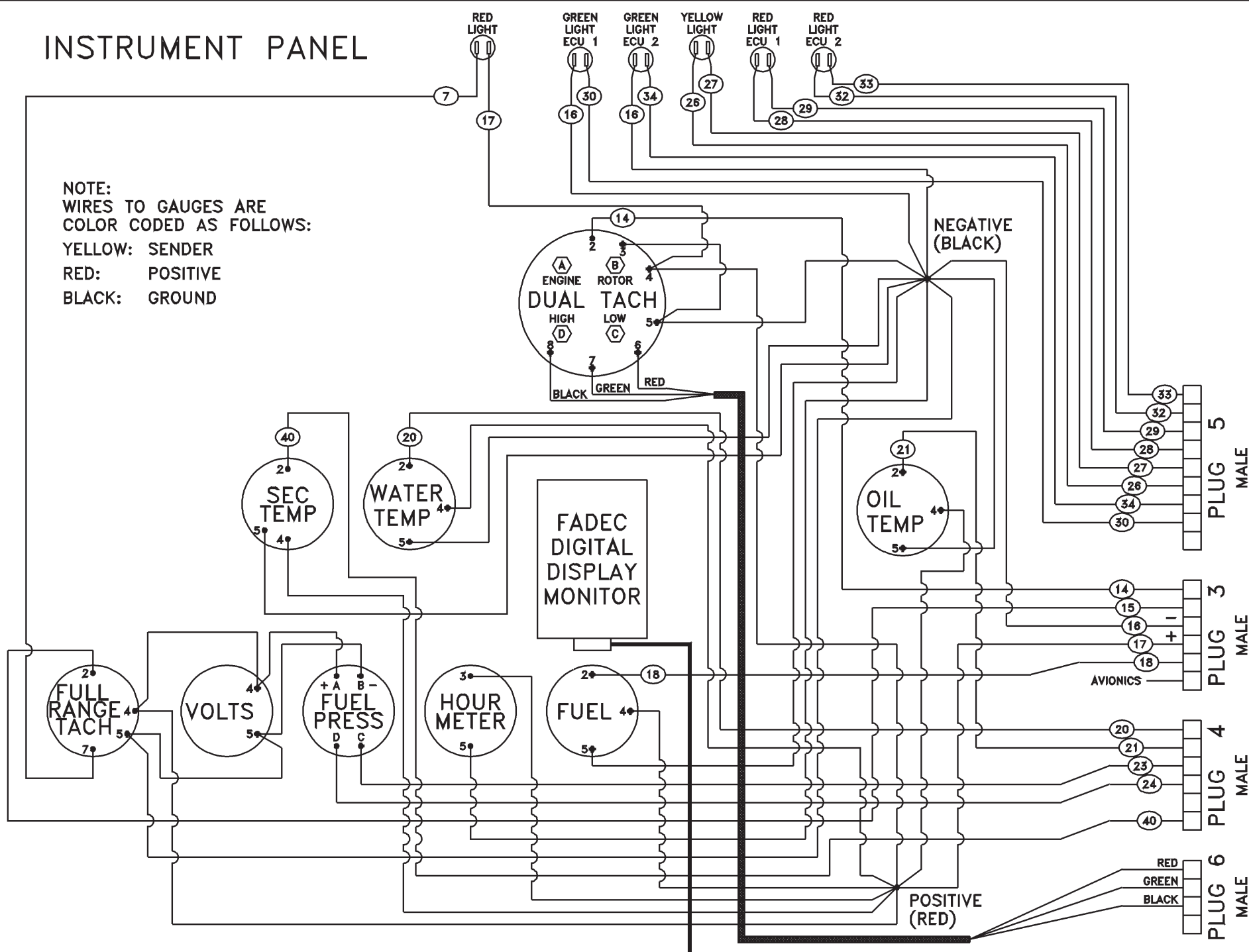


NOTE: FOR DRAWING CLARITY, WIRE POSITIONS ON 9 PIN CONNECTORS SHOWN HERE ARE NOT THE SAME AS ON ACTUAL PLUGS.

# AIRFRAME HARNESS

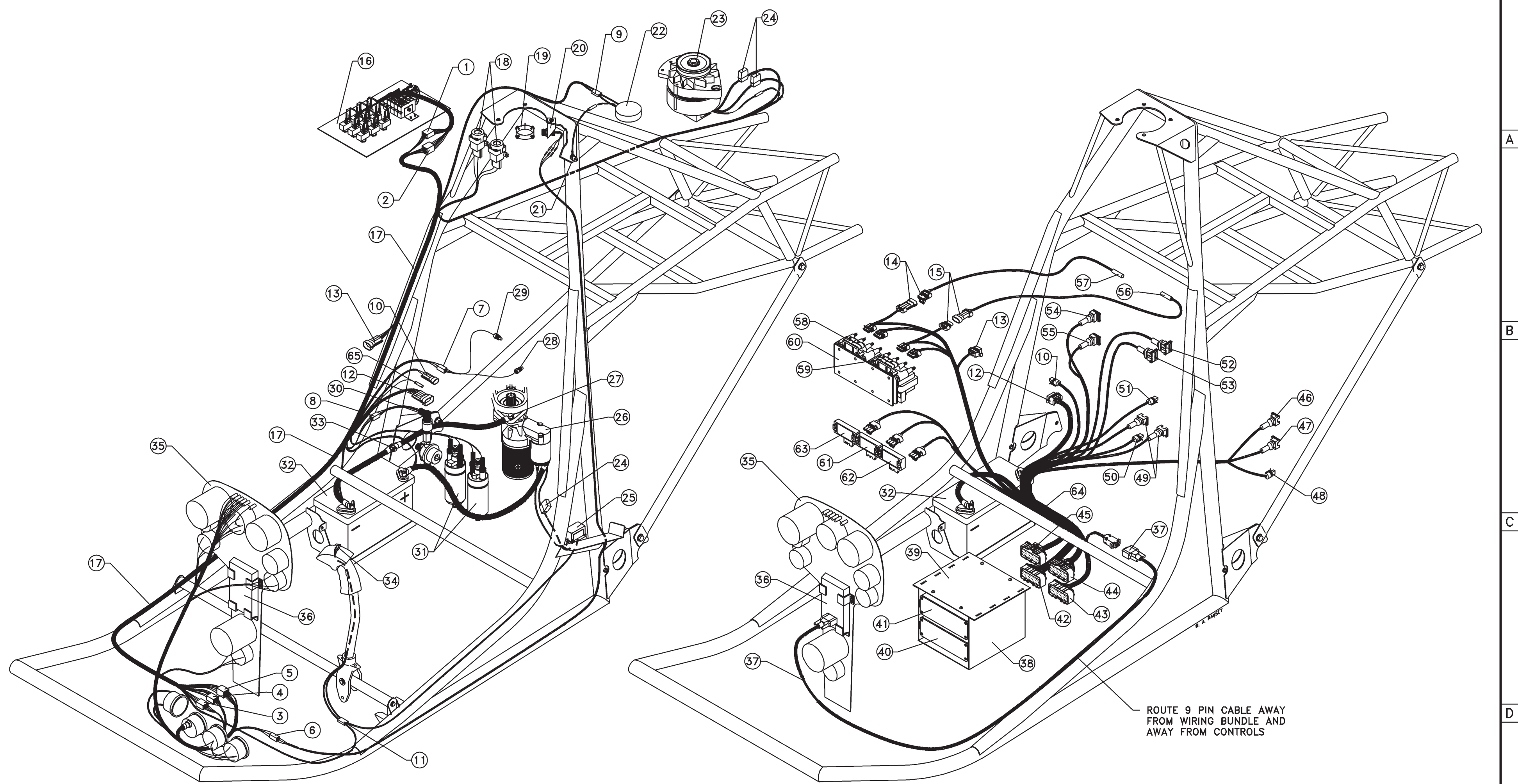


# INSTRUMENT PANEL



NOTE:  
WIRES TO GAUGES ARE  
COLOR CODED AS FOLLOWS:  
YELLOW: SENDER  
RED: POSITIVE  
BLACK: GROUND

ROTORWAY INTERNATIONAL CHANDLER, ARIZONA	
SCALE: NONE	APPROVED BY: _____
DATE: 11-9-94	DRAWN BY: WAR
	REVISED: 3-1-01
<b>EXEC 162F WIRING DIAGRAM</b>	
3-1-01 REVISION 8: SEC. TEMP. GAUGE ADDED	DRAWING NUMBER:
2-2-00 REVISION 5: FUEL PRESS. SENDER WIRES	E35-2001-6



AIRFRAME WIRING HARNESS

FADEC WIRING HARNESS

REF. NO.	DESCRIPTION
1.	PLUG 1 (OVERHEAD SWITCH PANEL)
2.	PLUG 2 (OVERHEAD SWITCH PANEL)
3.	PLUG 3 (INSTRUMENTS)
4.	PLUG 4 (INSTRUMENTS)
5.	PLUG 5 (FADEC LIGHTS)
6.	PLUG 6 (ROTOR TACH)
7.	PLUG 7 (TEMP SENDERS)
8.	PLUG 8 (FUEL PRESS. SENDER)
9.	PLUG 9 (FUEL SENDER)
10.	PLUG 10 (FADEC HARNESS)
11.	PLUG 11 (START BUTTON)
12.	PLUG 12 (FADEC HARNESS)
13.	PLUG 13 (FADEC HARNESS)

REF. NO.	DESCRIPTION
14.	PLUG 14 (IGNITION SENDER)
15.	PLUG 15 (IGNITION SENDER)
16.	OVERHEAD SWITCH PANEL
17.	AIRFRAME WIRING HARNESS
18.	FUEL PUMP INERTIA SWITCHES
19.	ROTOR TACH MAGNET BRACELET
20.	ROTOR TACH SENDER
21.	EYE BOLT (GROUND)
22.	FUEL GAUGE SENDER
23.	ALTERNATOR
24.	INLINE FUSES
25.	STARTER RELAY
26.	STARTER

REF. NO.	DESCRIPTION
27.	BOLT (GROUND)
28.	WATER TEMP SENDER
29.	OIL TEMP SENDER
30.	FUEL PRESSURE REGULATOR
31.	FUEL PUMPS
32.	BATTERY
33.	BOLT (GROUND)
34.	STARTER BUTTON
35.	INSTRUMENT PANEL
36.	DIGITAL DISPLAY MONITOR
37.	ECU TO MONITOR 9 PIN CABLE
38.	ECU TRAY
39.	ECU TRAY TOP PLATE

REF. NO.	DESCRIPTION
40.	PRIMARY ECU
41.	SECONDARY ECU
42.	PRIMARY P2 PLUG
43.	PRIMARY P3 PLUG
44.	SECONDARY P2 PLUG
45.	SECONDARY P3 PLUG
46.	INJECTOR 1 PLUG
47.	INJECTOR 2 PLUG
48.	WATER TEMP SENSOR PLUG
49.	SECONDARY INJECTOR PLUGS
50.	PRIMARY AIR TEMP SENDER PLUG
51.	SECONDARY AIR TEMP SENDER PLUG
52.	THROTTLE POSITION SENSOR 1 PLUG

REF. NO.	DESCRIPTION
53.	THROTTLE POSITION SENSOR 2 PLUG
54.	INJECTOR 3 PLUG
55.	INJECTOR 4 PLUG
56.	INBOARD IGNITION SENSOR
57.	OUTBOARD IGNITION SENSOR
58.	OUTBOARD IGNITION MODULE
59.	INBOARD IGNITION MODULE
60.	IGNITION MODULE BACKING PLATE
61.	BARO PRESSURE SENSOR 1
62.	BARO PRESSURE SENSOR 2
63.	MANIFOLD PRESSURE SENSOR
64.	FADEC WIRING HARNESS
65.	ACIS STEPPER CONTROLLER PLUG

ROUTE 9 PIN CABLE AWAY FROM WIRING BUNDLE AND AWAY FROM CONTROLS

ROTORWAY INTERNATIONAL CHANDLER, ARIZONA	
SCALE: NONE	APPROVED BY:
DATE: 5-29-97	REVISION: 1-13-00
EXEC 162F WIRING HARNESS	
DRAWING NUMBER: E35-2000-1	

1-13-00 REVISION 1: PLUG 65 ADDED

9

8

7

6

5

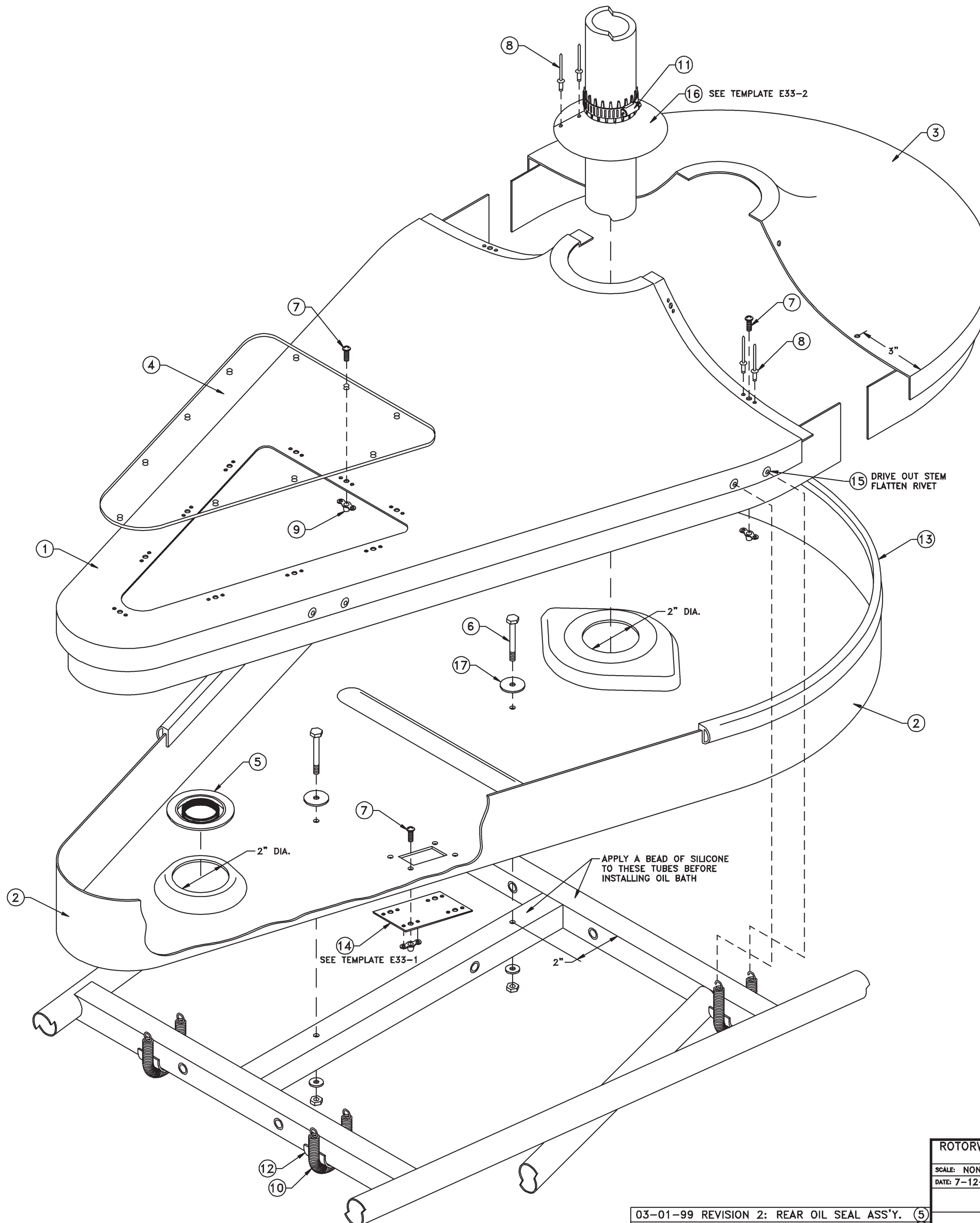
4

3

2

1

REF. NO.	PART NO.	PART NAME	QTY.
1.	E33-7101	TOP REAR COVER.....	1
2.	E33-7121	LOWER OIL BATH PAN.....	1
3.	E33-7111	TOP FRONT COVER.....	1
4.	E33-6100	MASTER LINK INSPECTION WINDOW.....	1
5.	E33-1170	REAR OIL SEAL ASSY.....	1
6.	E00-2508	BOLT 3/16 X 1-5/8.....	2
7.	E00-1200	8-32 X 7/16 PHILLIPS HEAD SCREW.....	18
8.	E00-6200	3/32 X 1/8 ALUM. CSK. POP RIVET.....	36
9.	E00-7000	8-32 NUT PLATE.....	18
10.	E33-1140	TENSION SPRINGS.....	4
11.	E00-9028	HOSE CLAMP #28.....	1
12.	E33-1160	RUBBER SPRING CUSHIONS.....	4
13.	E33-1190	RUBBER STRIPPING (88").....	1
14.	E33-1150	MASTER LINK INSERTION PLATE.....	1
15.	E00-6208	5/32 X 1/8 ALUM. POP RIVETS.....	8
16.	E33-3000	RAIN SHIELD (FROM E24-9780).....	1
17.	E00-4302	3/16 FENDER WASHER.....	2



A

B

C

D

E

03-01-99 REVISION 2: REAR OIL SEAL ASS'Y. (5)  
 11-12-96 REVISION 1: DELRIN OIL SEAL ASS'Y. (5)

ROTORWAY INTERNATIONAL CHANDLER, ARIZONA	
SCALE: NONE	APPROVED BY: _____
DATE: 7-12-96	DRAWN BY: WAR
REVISION: 03-01-99	
<b>OIL BATH</b>	
DRAWING NUMBER: E33-2000-2	

9

8

7

6

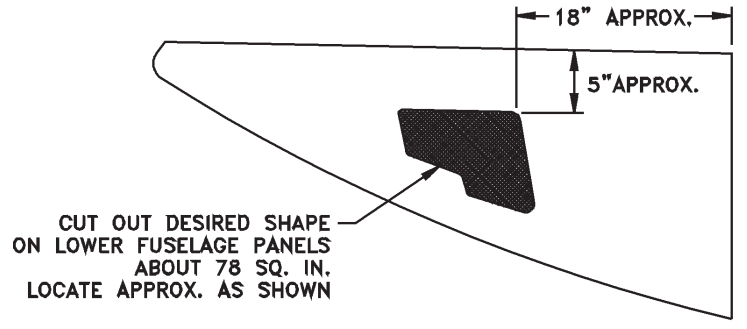
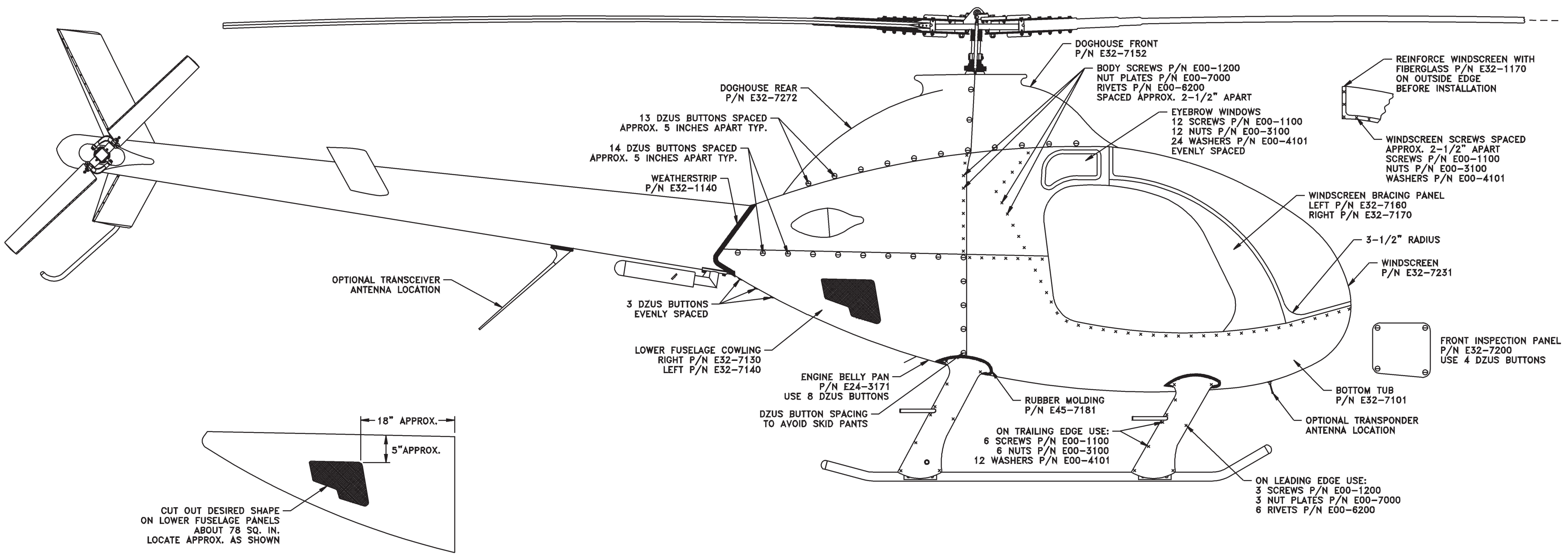
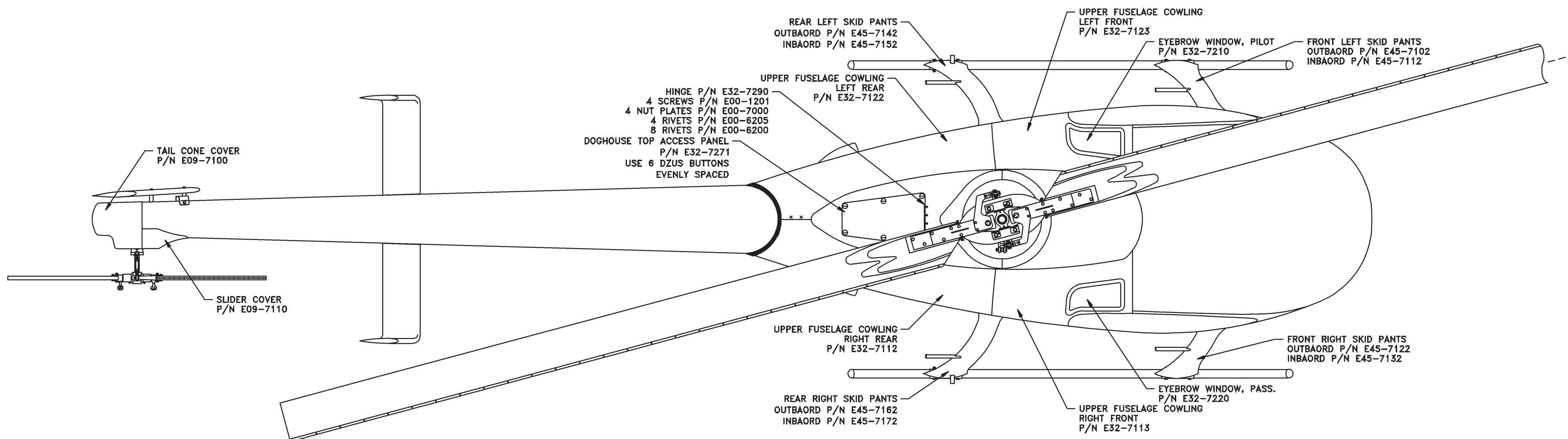
5

4

3

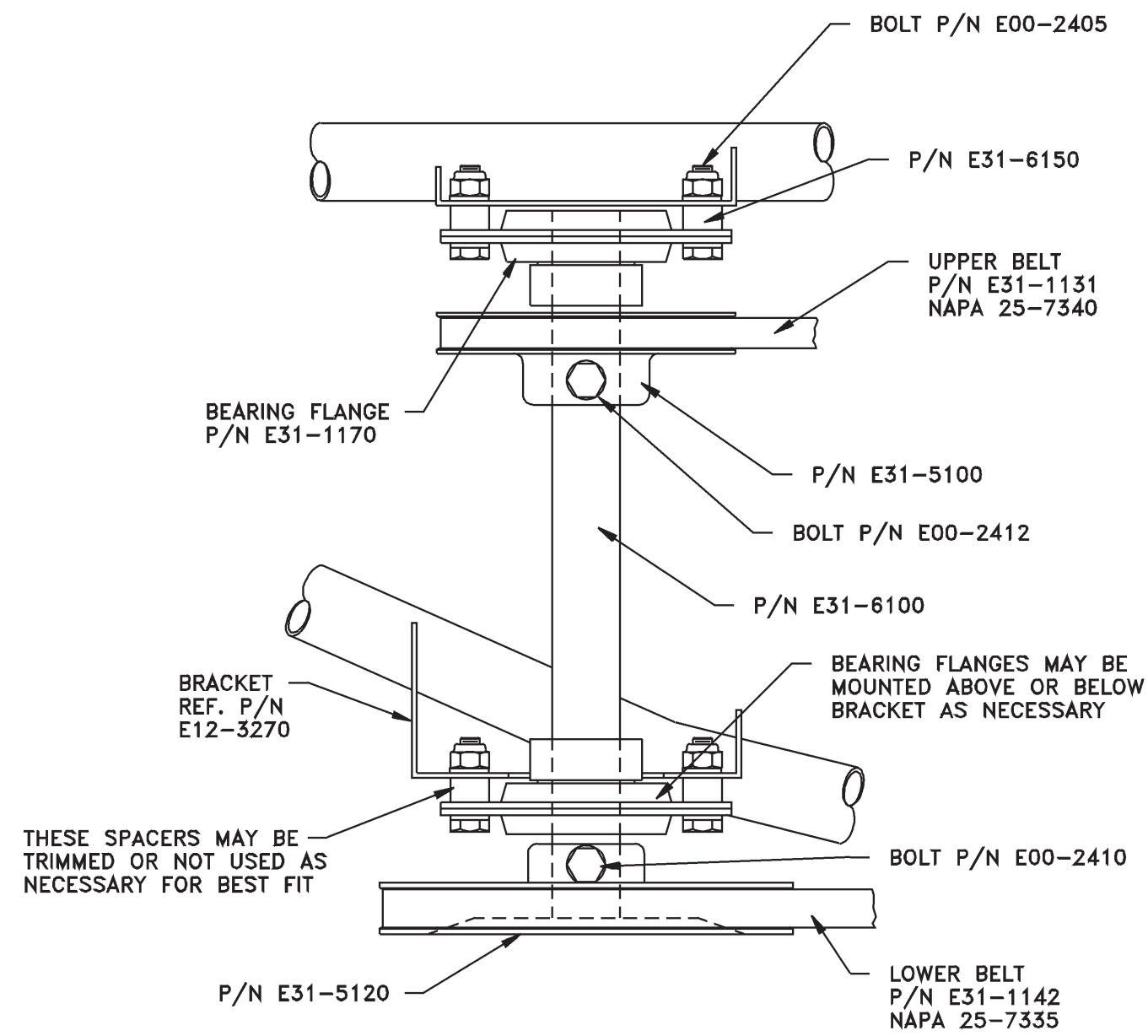
2

1



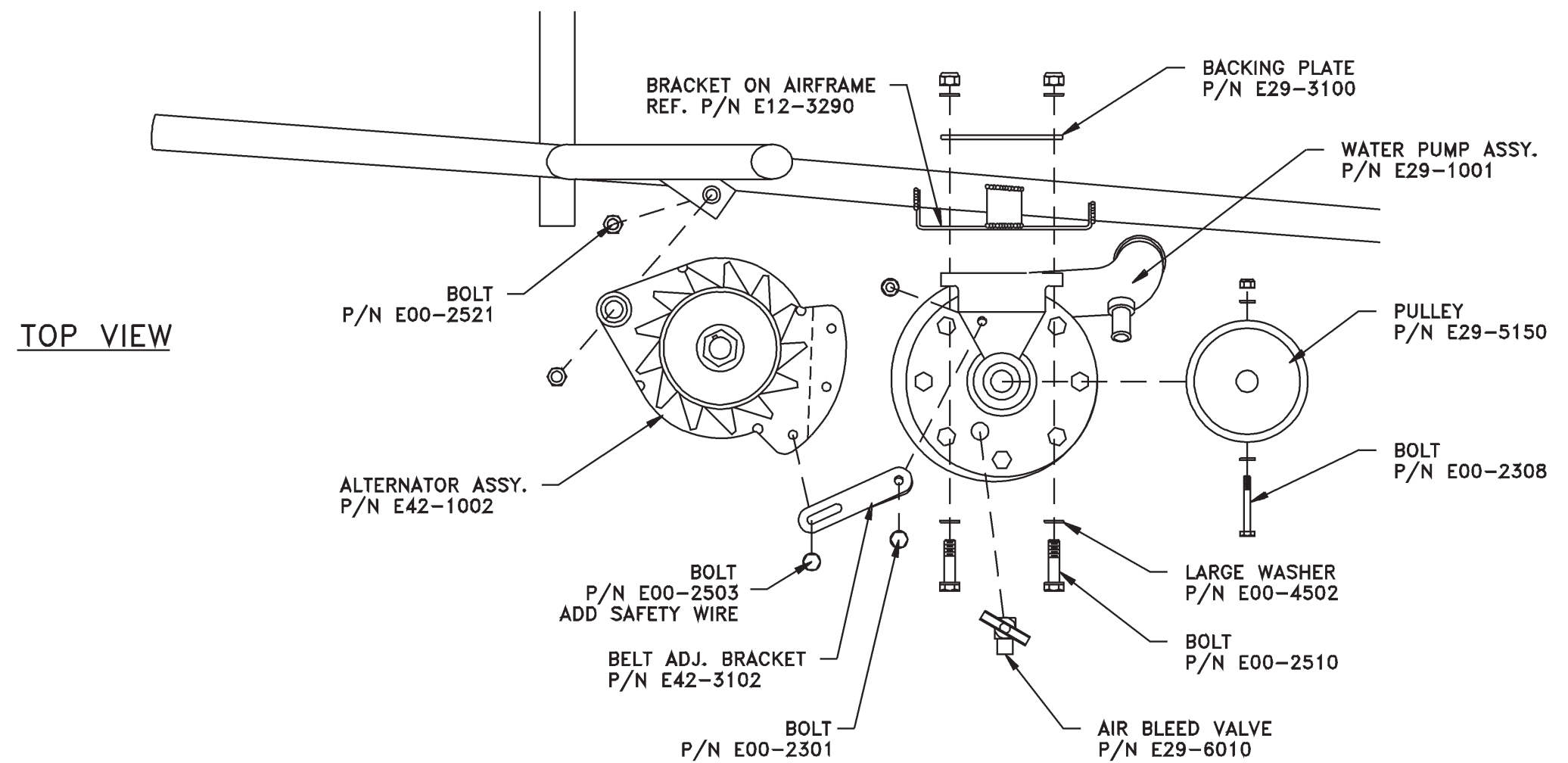
ROTORWAY INTERNATIONAL CHANDLER, ARIZONA		
SCALE: NONE	APPROVED BY:	DRAWN BY: WAR
DATE: 1-6-1999		REVISED:
<b>EXEC 162F BODY DETAILS</b>		
DRAWING NUMBER:		E32-2000

FAN DRIVE COUNTERSHAFT

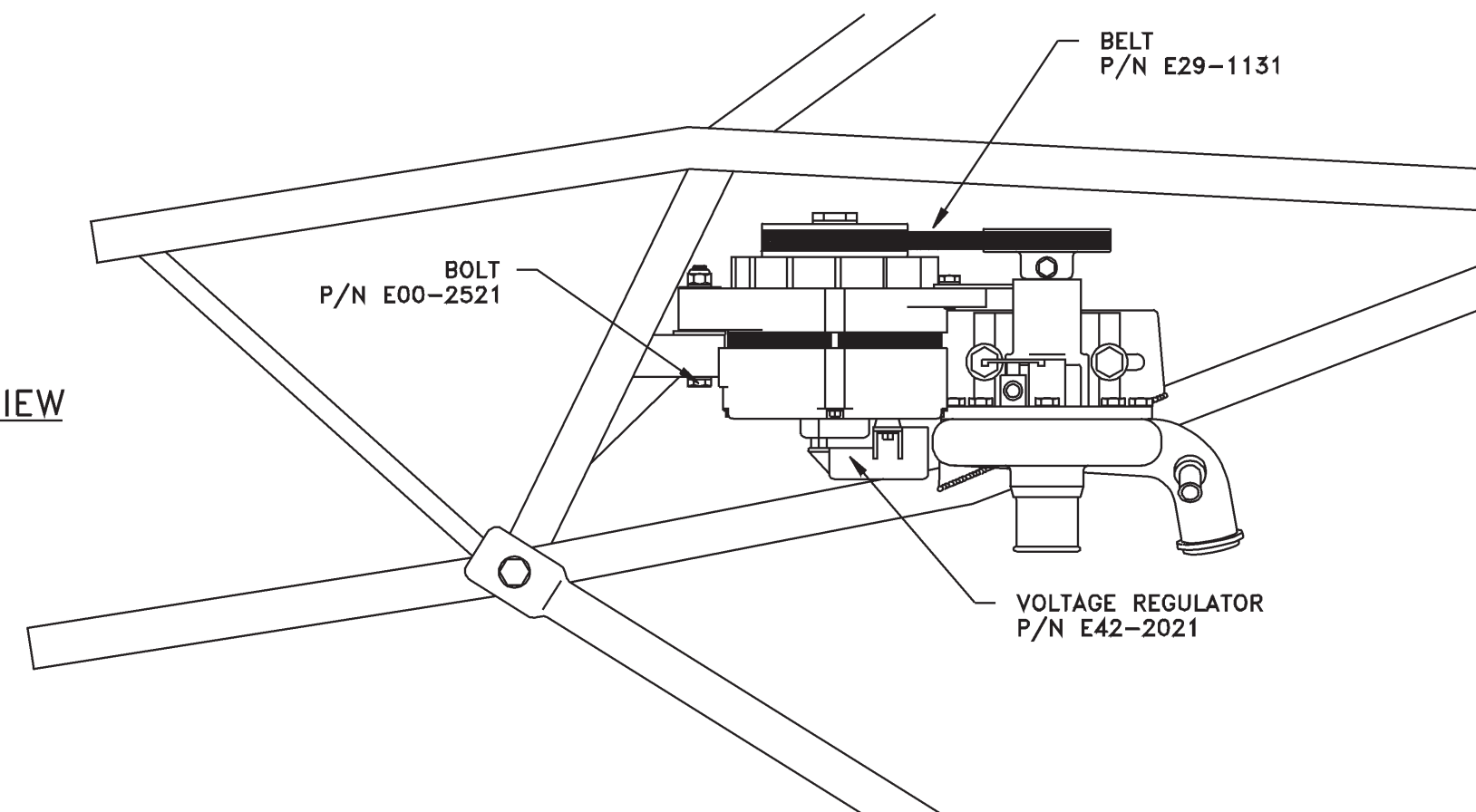


NOTE: SPACE PULLEYS APART TO MATCH CORRESPONDING DRIVE PULLEYS ON SECONDARY UNIT.

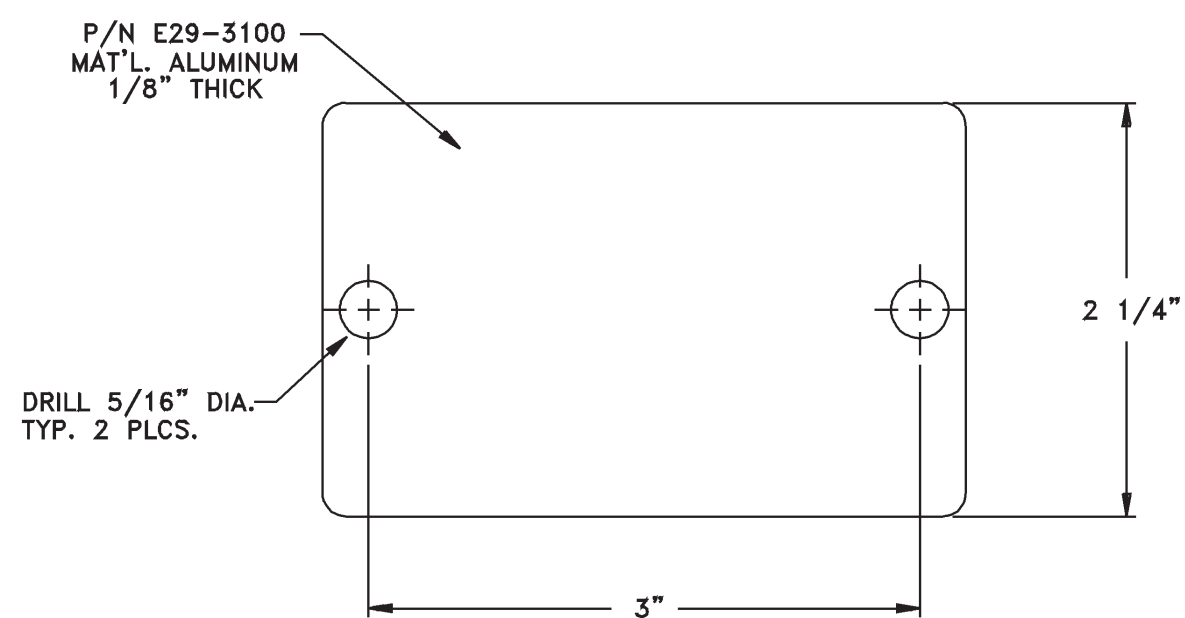
WATER PUMP AND ALTERNATOR MOUNTING



SIDE VIEW



WATER PUMP BACKING PLATE



10-1-01 REVISION 5: BELT P/NS CHANGED		SCALE: NONE		APPROVED BY:		DRAWN BY: WAR	
1-12-98 REVISION 4: BOLT E00-2410 ADDED		DATE: 5-2-94				REVISED: 10-1-01	
8-19-96 REVISION 3: NEW WATER PUMP		ROTORWAY INTERNATIONAL CHANDLER, ARIZONA FAN DRIVE COUNTERSHAFT, WATER PUMP AND ALTERNATOR MOUNTING DRAWING NUMBER: E31-2000-5					
5-15-95 REVISION 2: CHANGE ADJ. BKT. BOLTS							
4-25-95 REVISION 1: NEW ALTERNATOR							

9

8

7

6

5

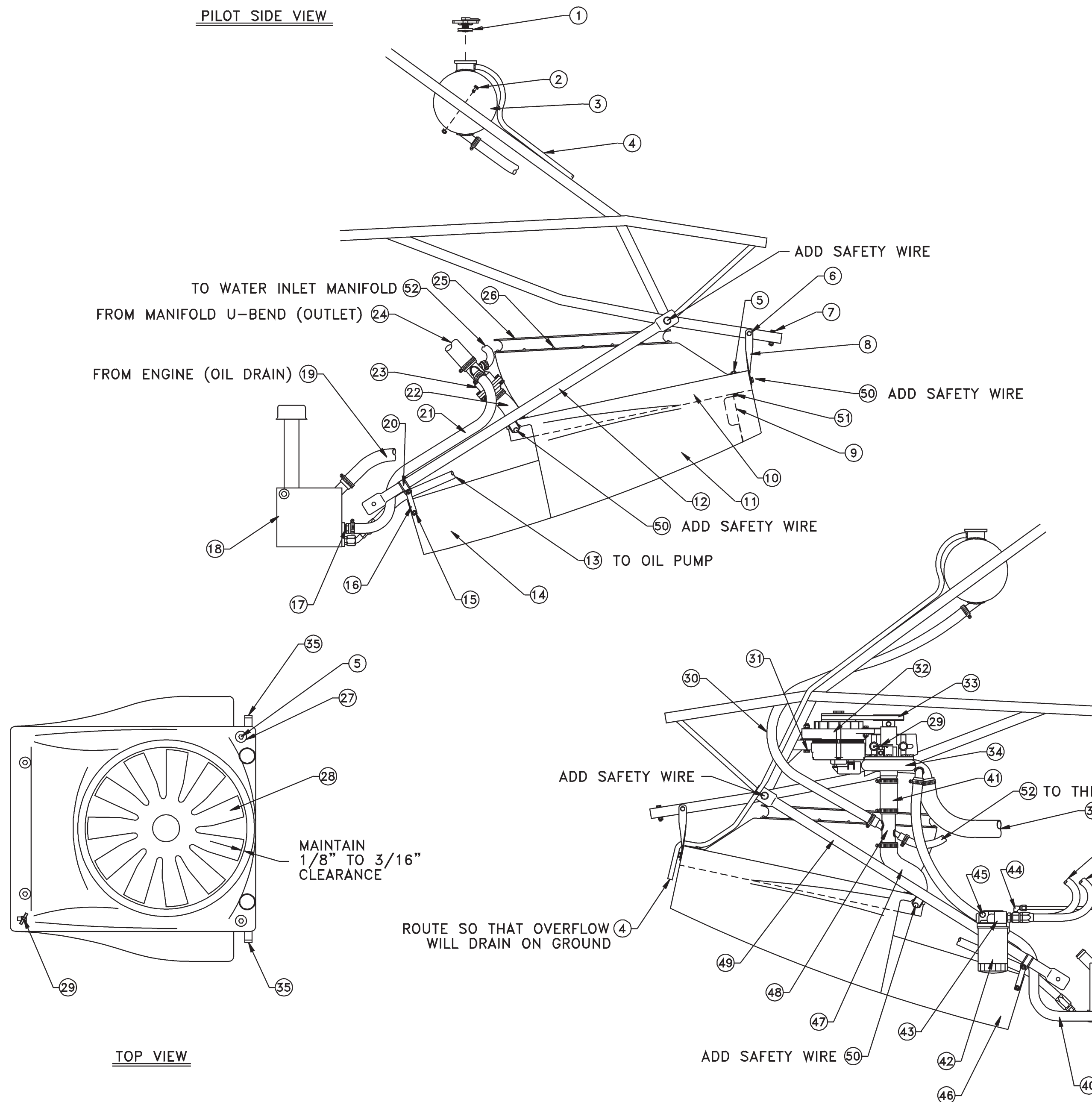
4

3

2

1

PILOT SIDE VIEW

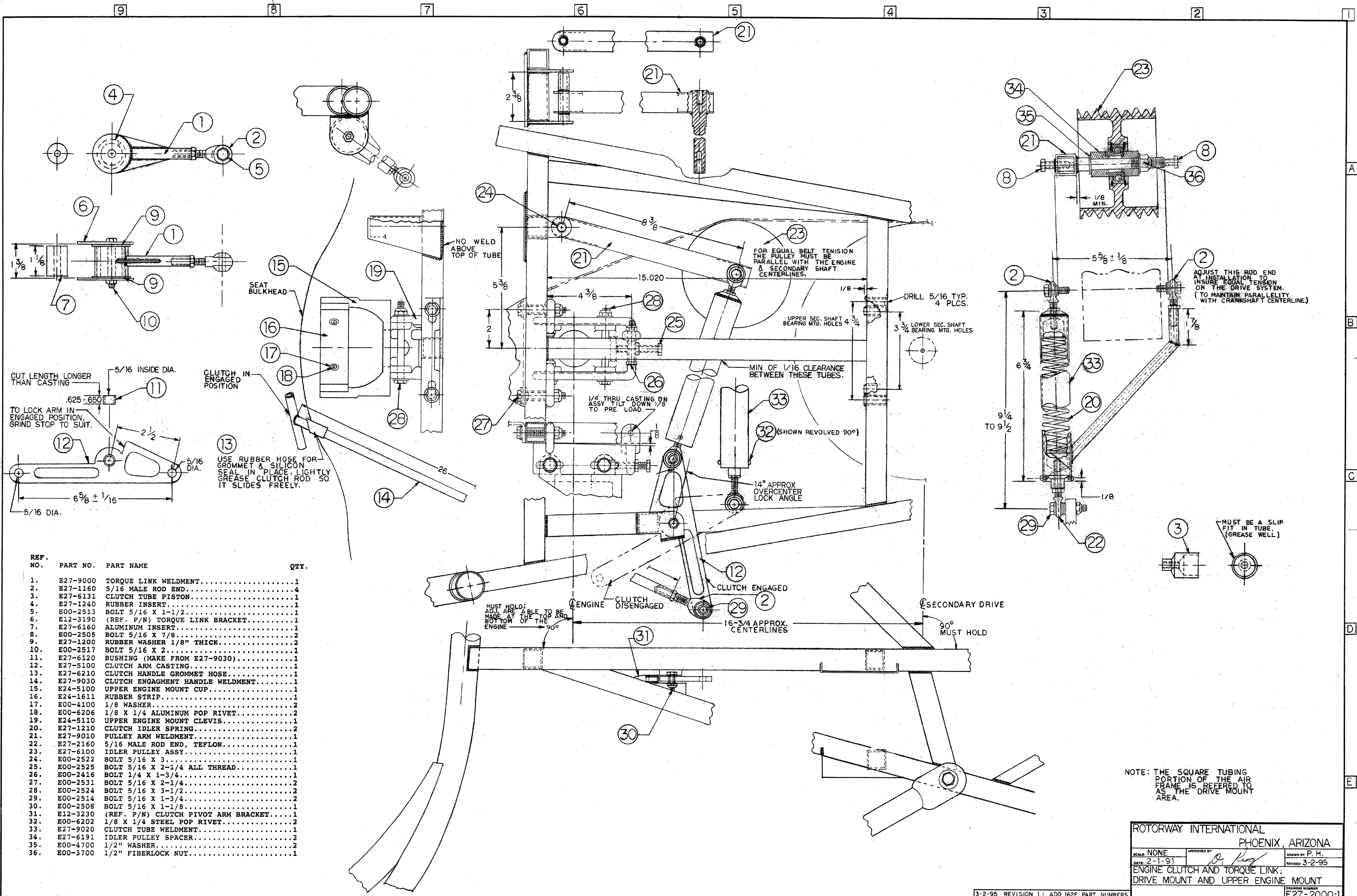


REF. NO.	PART NO.	PART NAME	QTY.
1.	E34-1180	RADIATOR CAP.....	1
2.	E00-2301	BOLT 3/16 X 5/8.....	2
3.	E34-4900	SURGE TANK.....	1
4.	E34-1151	OVERFLOW HOSE.....	1
5.	E00-2424	BOLT 1/4-20 X 5/8.....	4
6.	E00-2308	BOLT 3/16 X 1-5/8.....	2
7.	E00-2307	BOLT 3/16 X 1-3/8.....	6
8.	E30-7190	RADIATOR MTG. BKT. REAR.....	2
9.	E30-3161	RADIATOR REAR SHIELD.....	1
10.	E30-1161	RADIATOR.....	1
11.	E30-7150	FAN SHROUD.....	1
12.	E28-6112	T/B SUPPORT BRACE, PILOT.....	1
13.	E28-6112	HOSE-OIL SUMP TO OIL PUMP.....	1
14.	E24-9822	HEAT SHIELD (PILOT SIDE).....	1
15.	E00-2300	BOLT 3/16 X 1/2.....	2
16.	E30-6130	ALUM. STRAP 1/8 X 1/2.....	2
17.	E28-7170	FITTING.....	2
18.	E28-7150	OIL SUMP/HEAT EXCHANGER.....	1
19.	E28-1231	HOSE-ENGINE DRAIN TO SUMP....	1
20.	E00-9115	ADEL CLAMP, 1".....	2
21.	E34-1350	HOSE.....	1
22.	E34-1330	HOSE.....	1
23.	E34-5011	THERMOSTAT HOUSING INLET.....	1
	E34-5020	THERMOSTAT HOUSING OUTLET.....	1
	E34-5000	THERMOSTAT.....	1
24.	E34-1320	HOSE.....	1
25.	E30-7160	FAN SHROUD RING.....	1
26.	E00-6206	1/8 X 1/4 ALUM. POP RIVET....	8
27.	E00-4403	1/4" FENDER WASHER.....	4
28.	E23-7141	COOLING FAN.....	1
29.	E29-6010	AIR BLEED VALVE.....	2
30.	E34-1370	HOSE.....	1
31.	E00-2519	BOLT 5/16 X 2-5/8.....	1
32.	E42-1002	ALTERNATOR ASSY.....	1
33.	E29-5100	WATER PUMP PULLEY.....	1
34.	E29-1001	WATER PUMP ASSY.....	1
35.	E30-3120	ALUMINUM SPACER.....	1
36.	E34-1300	HOSE.....	1
37.	E28-6122	HOSE, OIL FILTER TO ENG.....	1
38.	E28-6142	HOSE, ENGINE TO OIL FILTER....	1
39.	E36-1200	NYLON TUBING 1/8.....	1
40.	E34-1360	HOSE.....	1
41.	E34-1340	HOSE.....	1
42.	E28-1110	OIL FILTER.....	1
43.	E28-1122	OIL FILTER MOUNT ASSY.....	1
44.	E28-7240	FITTING 90° 1/8 COMPRESSION....	1
45.	E00-2505	BOLT 5/16 X 7/8.....	2
46.	E24-9823	HEAT SHIELD (PASS. SIDE).....	1
47.	E34-1310	HOSE.....	1
48.	E34-4952	WATER INLET MANIFOLD.....	1
49.	E10-3246	T/B SUPPORT BRACE, PASS.....	1
50.	E00-2433	BOLT 1/4-20 X 3/4.....	5
51.	E30-1191	FOAM STRIP (93" SUPPLIED).....	1
52.	E34-4960	HOSE.....	1

TOP VIEW

PASSENGER SIDE VIEW

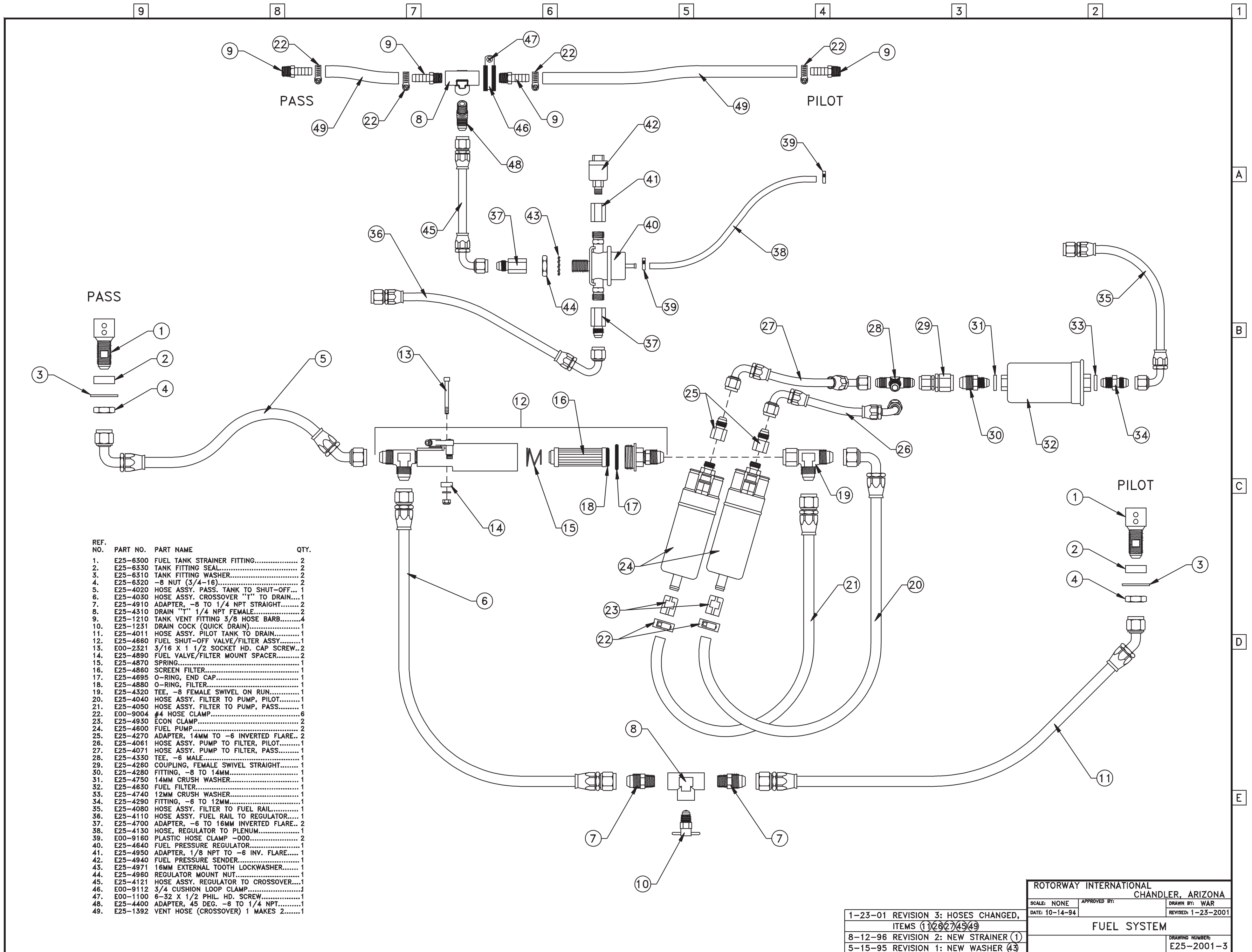
ROTORWAY INTERNATIONAL CHANDLER, ARIZONA			
SCALE: 1/8	APPROVED BY:	DRAWN BY: WAR	
DATE: 5-2-94		REVISED: 8-19-96	
FAN SHROUD, RADIATOR, OIL COOLER			
8-19-96 REVISION 2: ADD HOSE (52) 4-25-95 REVISION 1: NEW ALTERNATOR (32)			DRAWING NUMBER: E30-2000-2



REF. NO.	PART NO.	PART NAME	QTY.
1.	E27-9000	TORQUE LINK WELDMENT.....	1
2.	E27-1160	5/16 MALE ROD END.....	4
3.	E27-6131	CLUTCH TUBE PISTON.....	1
4.	E27-1240	RUBBER INSERT.....	1
5.	E00-2513	BOLT 5/16 X 1-1/2.....	1
6.	E12-3190	(REF. P/N) TORQUE LINK BRACKET.....	1
7.	E27-6160	ALUMINUM INSERT.....	1
8.	E00-2505	BOLT 5/16 X 7/8.....	2
9.	E27-1200	RUBBER WASHER 1/8" THICK.....	2
10.	E00-2517	BOLT 5/16 X 2.....	1
11.	E27-6120	BUSHING (MAKE FROM E27-9030).....	1
12.	E27-5100	CLUTCH ARM CASTING.....	1
13.	E27-6210	CLUTCH HANDLE GROMMET HOSE.....	1
14.	E27-9030	CLUTCH ENGAGEMENT HANDLE WELDMENT.....	1
15.	E24-5100	UPPER ENGINE MOUNT CUP.....	1
16.	E24-1611	RUBBER STRIP.....	1
17.	E00-4100	1/8 WASHER.....	2
18.	E00-6206	1/8 X 1/4 ALUMINUM POP RIVET.....	2
19.	E24-5110	UPPER ENGINE MOUNT CLEVIS.....	1
20.	E27-1210	CLUTCH IDLER SPRING.....	2
21.	E27-9010	PULLEY ARM WELDMENT.....	1
22.	E27-2160	5/16 MALE ROD END, TEFLON.....	1
23.	E27-6100	IDLER PULLEY ASSY.....	1
24.	E00-2522	BOLT 5/16 X 3.....	1
25.	E00-2525	BOLT 5/16 X 2-1/4 ALL THREAD.....	1
26.	E00-2416	BOLT 1/4 X 1-3/4.....	1
27.	E00-2531	BOLT 5/16 X 2-1/4.....	2
28.	E00-2524	BOLT 5/16 X 3-1/2.....	2
29.	E00-2514	BOLT 5/16 X 1-3/4.....	2
30.	E00-2508	BOLT 5/16 X 1-1/8.....	1
31.	E12-3230	(REF. P/N) CLUTCH PIVOT ARM BRACKET.....	1
32.	E00-6202	1/8 X 1/4 STEEL POP RIVET.....	2
33.	E27-9020	CLUTCH TUBE WELDMENT.....	1
34.	E27-6191	IDLER PULLEY SPACER.....	2
35.	E00-4700	1/2" WASHER.....	2
36.	E00-3700	1/2" FIBERLOCK NUT.....	1

ROTORWAY INTERNATIONAL  
 PHOENIX, ARIZONA  
 SCALE: NONE  
 DATE: 2-1-91  
 APPROVED BY: *P. H.*  
 DRAWN BY: P. H.  
 REVISION: 3-2-95  
 ENGINE CLUTCH AND TORQUE LINK;  
 DRIVE MOUNT AND UPPER ENGINE MOUNT  
 DRAWING NUMBER: E27-2000-1

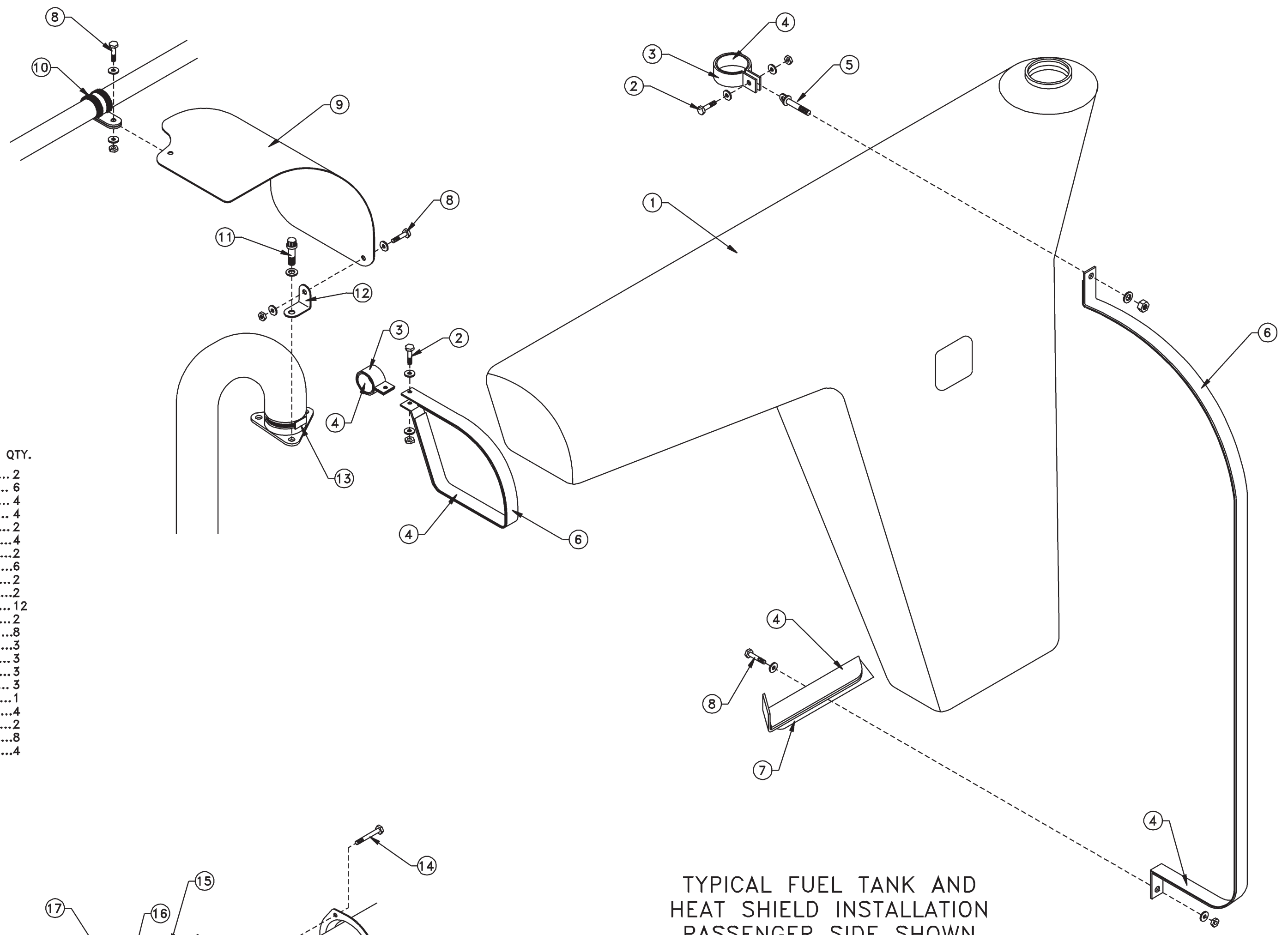
3-2-95 REVISION 1: ADD 162F PART NUMBERS



REF. NO.	PART NO.	PART NAME	QTY.
1.	E25-6300	FUEL TANK STRAINER FITTING.....	2
2.	E25-6330	TANK FITTING SEAL.....	2
3.	E25-6310	TANK FITTING WASHER.....	2
4.	E25-6320	-8 NUT (3/4-16).....	2
5.	E25-4020	HOSE ASSY. PASS. TANK TO SHUT-OFF... 1	
6.	E25-4030	HOSE ASSY. CROSSOVER "T" TO DRAIN... 1	
7.	E25-4910	ADAPTER, -8 TO 1/4 NPT STRAIGHT..... 2	
8.	E25-4310	DRAIN "T" 1/4 NPT FEMALE..... 2	
9.	E25-1210	TANK VENT FITTING 3/8 HOSE BARB..... 4	
10.	E25-1231	DRAIN COCK (QUICK DRAIN)..... 1	
11.	E25-4011	HOSE ASSY. PILOT TANK TO DRAIN..... 1	
12.	E25-4660	FUEL SHUT-OFF VALVE/FILTER ASSY..... 1	
13.	E00-2321	3/16 X 1 1/2 SOCKET HD. CAP SCREW.. 2	
14.	E25-4890	FUEL VALVE/FILTER MOUNT SPACER..... 2	
15.	E25-4870	SPRING..... 1	
16.	E25-4860	SCREEN FILTER..... 1	
17.	E25-4895	O-RING, END CAP..... 1	
18.	E25-4880	O-RING, FILTER..... 1	
19.	E25-4320	TEE, -8 FEMALE SWIVEL ON RUN..... 1	
20.	E25-4040	HOSE ASSY. FILTER TO PUMP, PILOT..... 1	
21.	E25-4050	HOSE ASSY. FILTER TO PUMP, PASS..... 1	
22.	E00-9004	#4 HOSE CLAMP..... 6	
23.	E25-4930	ECON CLAMP..... 2	
24.	E25-4800	FUEL PUMP..... 2	
25.	E25-4270	ADAPTER, 14MM TO -6 INVERTED FLARE.. 2	
26.	E25-4061	HOSE ASSY. PUMP TO FILTER, PILOT..... 1	
27.	E25-4071	HOSE ASSY. PUMP TO FILTER, PASS..... 1	
28.	E25-4330	TEE, -6 MALE..... 1	
29.	E25-4260	COUPLING, FEMALE SWIVEL STRAIGHT..... 1	
30.	E25-4280	FITTING, -8 TO 14MM..... 1	
31.	E25-4750	14MM CRUSH WASHER..... 1	
32.	E25-4630	FUEL FILTER..... 1	
33.	E25-4740	12MM CRUSH WASHER..... 1	
34.	E25-4290	FITTING, -6 TO 12MM..... 1	
35.	E25-4080	HOSE ASSY. FILTER TO FUEL RAIL..... 1	
36.	E25-4110	HOSE ASSY. FUEL RAIL TO REGULATOR... 1	
37.	E25-4700	ADAPTER, -6 TO 16MM INVERTED FLARE.. 2	
38.	E25-4130	HOSE, REGULATOR TO PLENUM..... 1	
39.	E00-9160	PLASTIC HOSE CLAMP -000..... 2	
40.	E25-4640	FUEL PRESSURE REGULATOR..... 1	
41.	E25-4950	ADAPTER, 1/8 NPT TO -6 INV. FLARE.... 1	
42.	E25-4940	FUEL PRESSURE SENDER..... 1	
43.	E25-4971	16MM EXTERNAL TOOTH LOCKWASHER..... 1	
44.	E25-4960	REGULATOR MOUNT NUT..... 1	
45.	E25-4121	HOSE ASSY. REGULATOR TO CROSSOVER... 1	
46.	E00-9112	3/4 CUSHION LOOP CLAMP..... 1	
47.	E00-1100	6-32 X 1/2 PHIL. HD. SCREW..... 1	
48.	E25-4400	ADAPTER, 45 DEG. -8 TO 1/4 NPT..... 1	
49.	E25-1392	VENT HOSE (CROSSOVER) 1 MAKES 2..... 1	

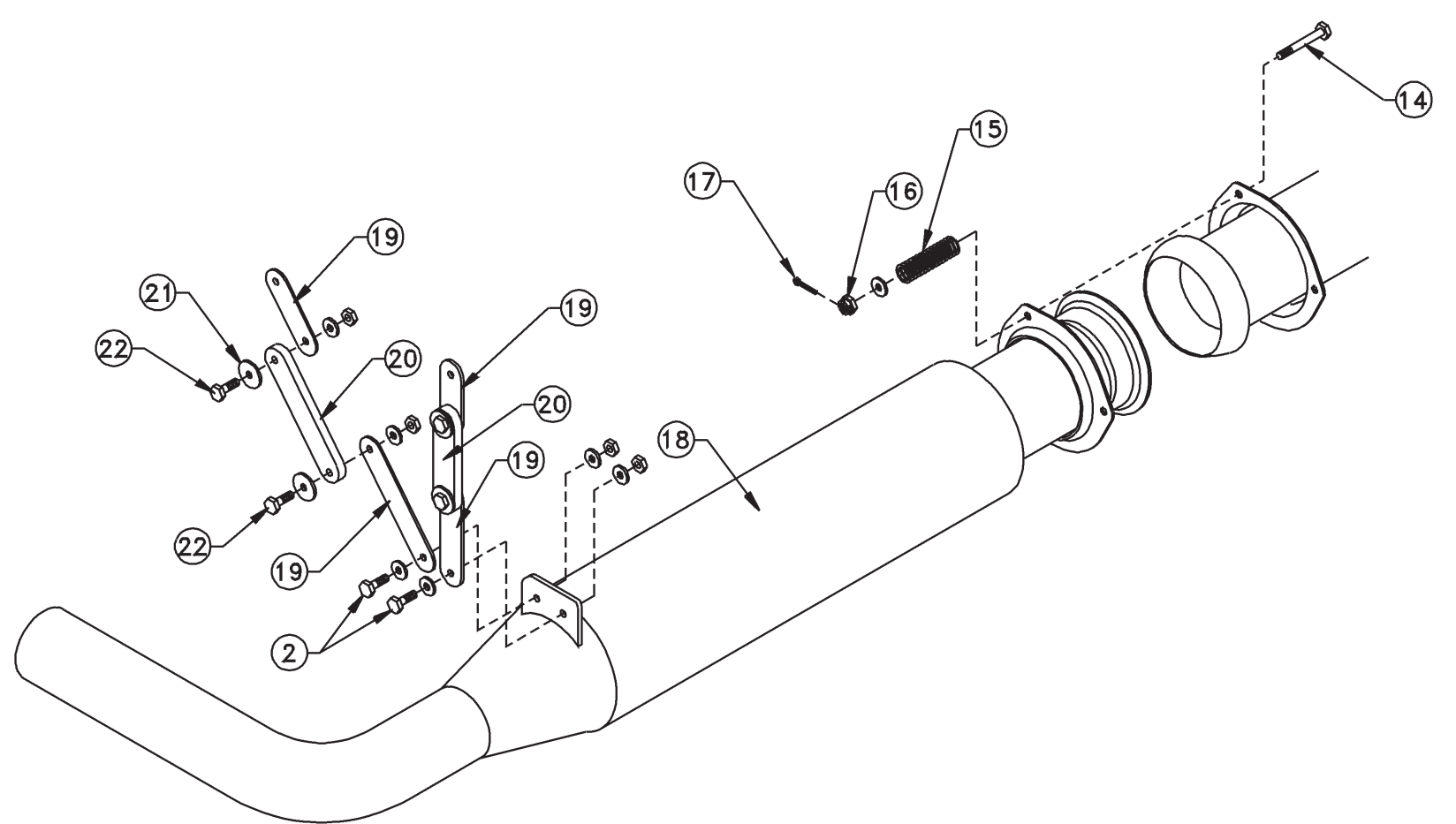
1-23-01 REVISION 3: HOSES CHANGED,  
ITEMS (1)26(2)45(4)9  
8-12-96 REVISION 2: NEW STRAINER (1)  
5-15-95 REVISION 1: NEW WASHER (43)

ROTORWAY INTERNATIONAL CHANDLER, ARIZONA		
SCALE: NONE	APPROVED BY:	DRAWN BY: WAR
DATE: 10-14-94	REVISED: 1-23-2001	
<b>FUEL SYSTEM</b>		
DRAWING NUMBER:		E25-2001-3



REF. NO.	PART NO.	PART NAME	QTY.
1.	E25-6110	FUEL TANK .....	2
2.	E00-2301	BOLT 3/16 X 5/8.....	6
3.	E25-3110	CLAMP (MAKE FROM .063 STRAP).....	4
4.	E25-1400	RUBBER STRAP (4' LENGTHS SUPPLIED).....	4
5.	E00-2420	EYE BOLT 1/4 X 1-1/8.....	2
6.	E25-3100	FUEL TANK STRAP .063 X 3/4.....	4
7.	E12-3611	FUEL TANK BRACKET (ON AIRFRAME).....	2
8.	E00-2300	BOLT 3/16 X 1/2.....	6
9.	E24-9831	HEAT SHIELD (MAKE FROM E24-9780).....	2
10.	E00-9114	7/8 CUSHION LOOP CLAMP.....	2
11.	E00-2532	5/16 x 5/8 12 POINT BOLT.....	12
12.	E24-9881	HEAT SHIELD BRACKET.....	2
13.	E00-9100	TIE WRAP.....	8
14.	E00-2325	BOLT 3/16 X 1 3/8" DRILLED SHANK.....	3
15.	E24-1251	SPRING.....	3
16.	E00-3303	3/16 CASTLE NUT.....	3
17.	E00-5000	COTTER PIN 1/16 X 3/4.....	3
18.	E24-9011	MUFFLER/TAIPIPE WELDMENT.....	1
19.	E24-3151	MUFFLER STRAP (1 MAKES 4).....	4
20.	E24-3100	MUFFLER MOUNT RUBBER (1 MAKES 2).....	2
21.	E00-4302	3/16 FENDER WASHER.....	8
22.	E00-2304	BOLT 3/16 X 7/8.....	4

TYPICAL FUEL TANK AND HEAT SHIELD INSTALLATION PASSENGER SIDE SHOWN



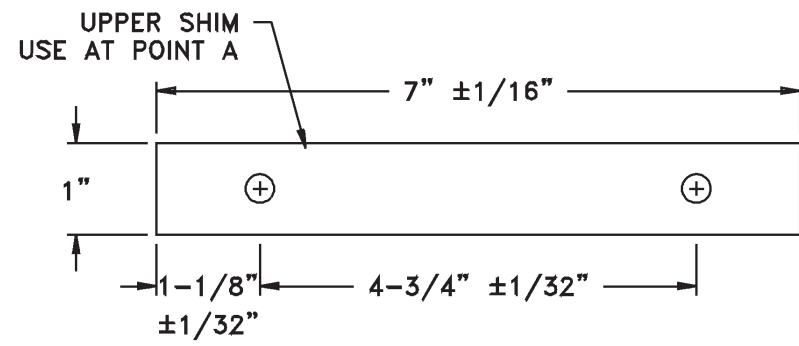
ROTORWAY INTERNATIONAL		CHANDLER, ARIZONA	
SCALE: NONE	APPROVED BY:	DRAWN BY: WAR	
DATE: 10-14-94		REVISED: NONE	
<b>FUEL TANKS AND MUFFLER</b>			
			DRAWING NUMBER: E25-2000

A  
B  
C  
D  
E

## SECONDARY DRIVE INSTALLATION

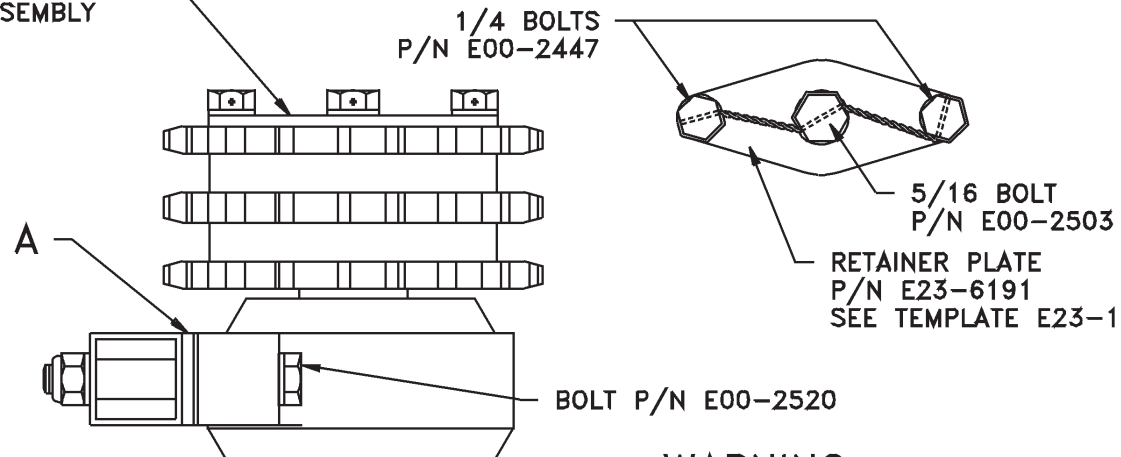
ON FINAL ASS'Y. TORQUE BOLTS AND SAFETY WIRE AS SHOWN  
 1/4 BOLTS - 7 FT. LBS.  
 5/16 BOLTS - 12 FT. LBS.

REFER TO CONSTRUCTION MANUAL FOR INSTALLATION AND REMOVAL OF THE SECONDARY SPROCKET AND LOCKING ASSEMBLY



INSERT SHIMS P/N E23-2100 AND E23-3100 AT POINTS A AND B AS REQUIRED TO MAINTAIN THE PARALLELISM OF THE MAIN SHAFT AND SECONDARY SHAFT AND TO TENSION THE CHAIN PROPERLY.

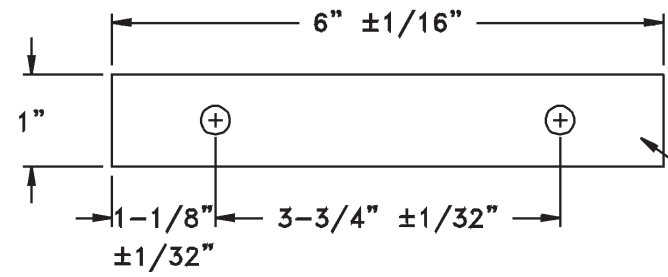
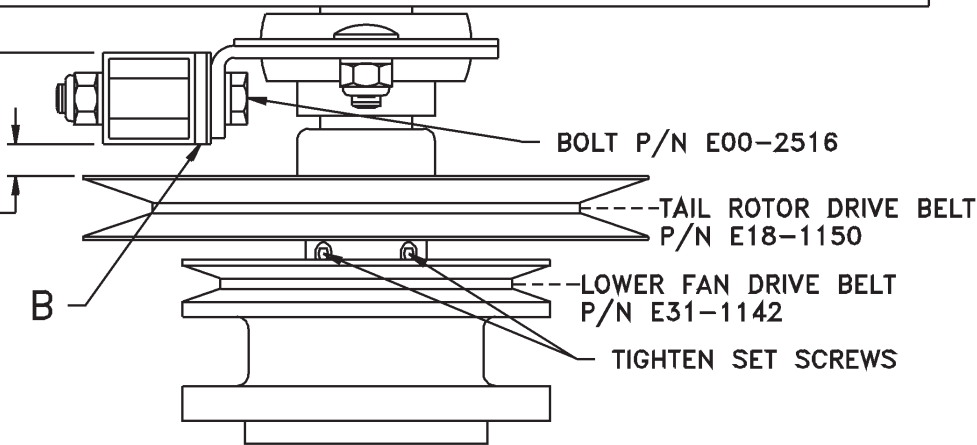
WATER PUMP/ALT BELT P/N E29-1131  
 UPPER FAN DRIVE BELT P/N E31-1131



**WARNING**  
 DO NOT TAMPER WITH THE FOUR 1/4\"/>

.125\"/>

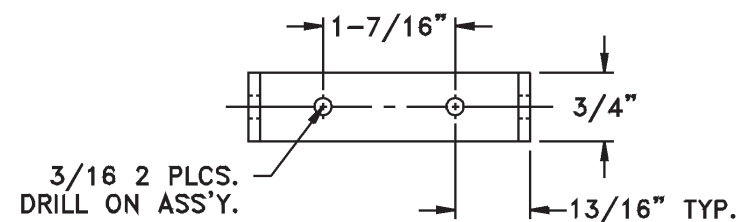
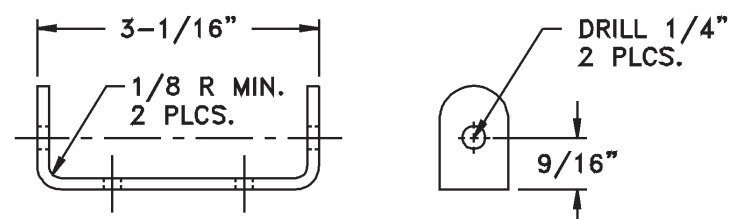
.090\"/>



LOWER SHIM USE AT POINT B

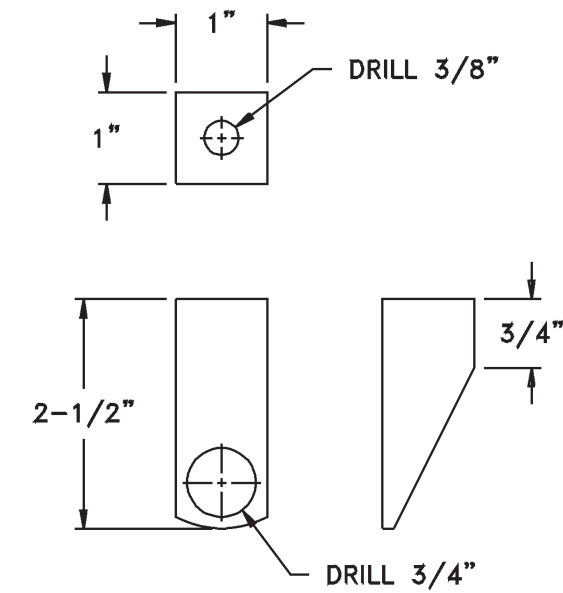
## COLLECTIVE SCISSORS MOUNT

P/N E49-1380  
 MAT'L. 4130 STL.  
 .125\"/>

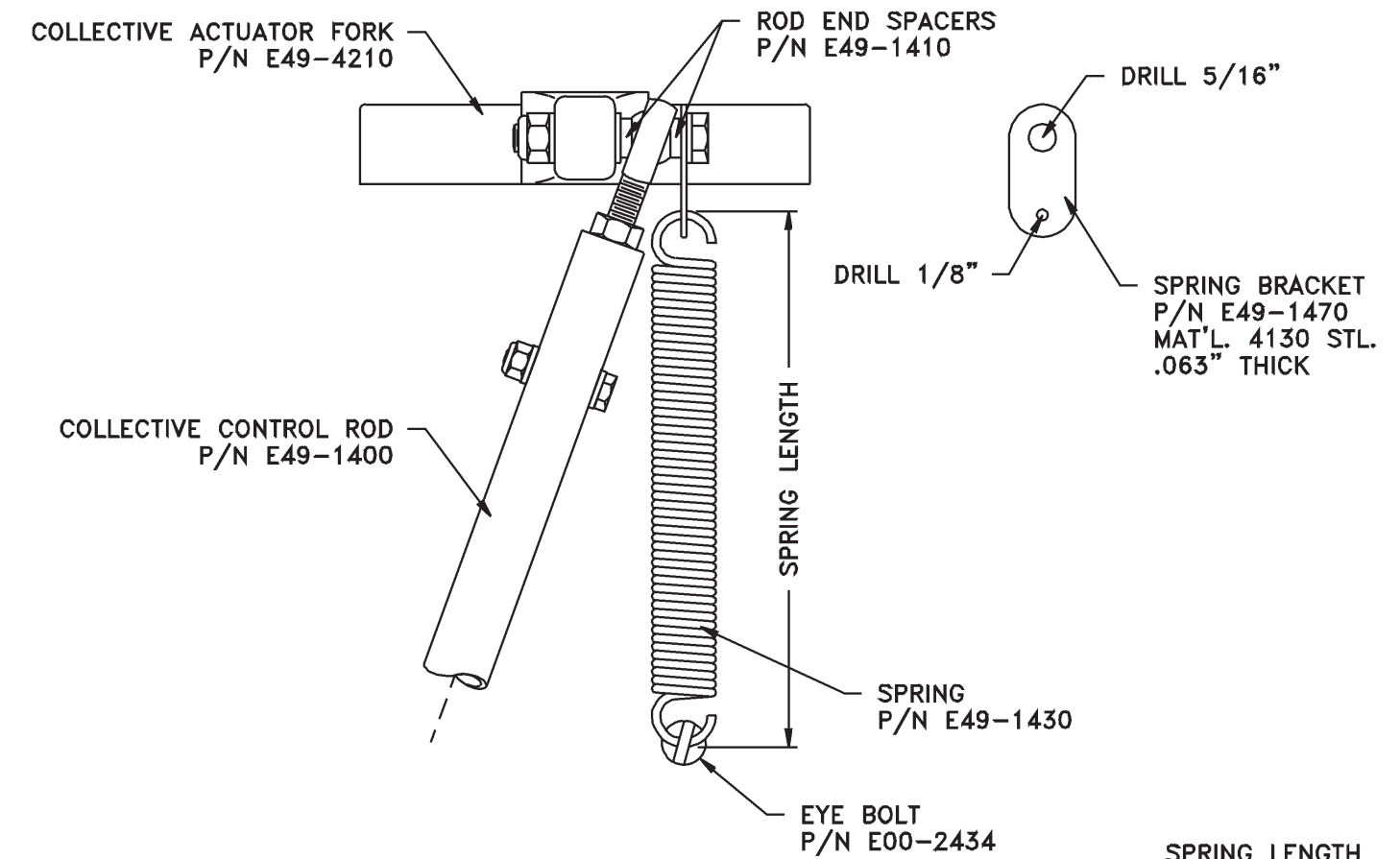


## ROTOR TACH SENDER MOUNT

P/N E36-9000  
 ROTOR TACH SENDER MOUNT WELDMENT  
 MAT'L. 4130 STL.  
 1\"/>



## COLLECTIVE CONTROL SPRING ATTACHMENT



SPRING LENGTH	
COLLECTIVE FULL	
UP	DOWN
7-1/2"	8-3/4"

## COLLECTIVE SCISSORS MOUNT

P/N E49-1380  
 MAT'L. 4130 STL.  
 .125\"/>



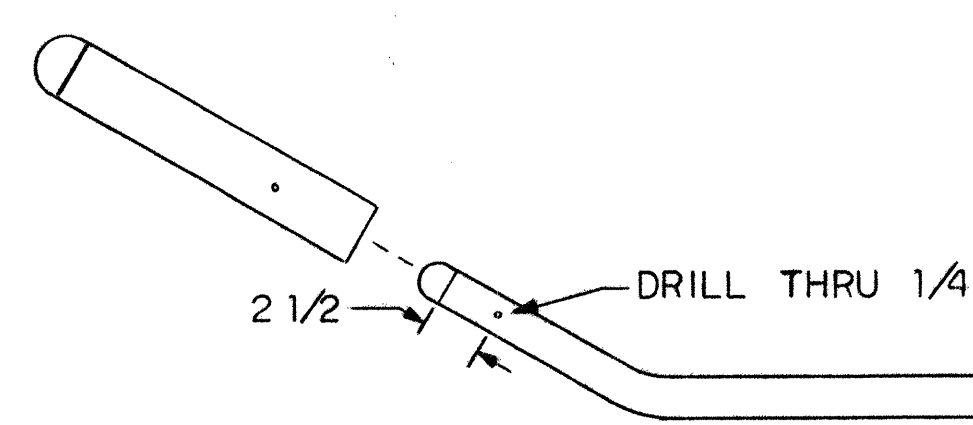
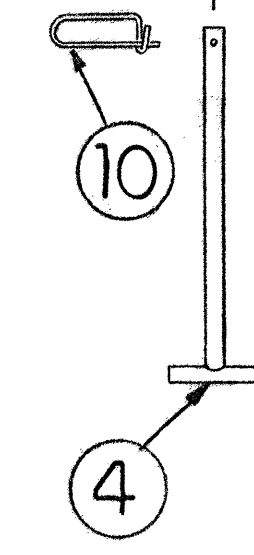
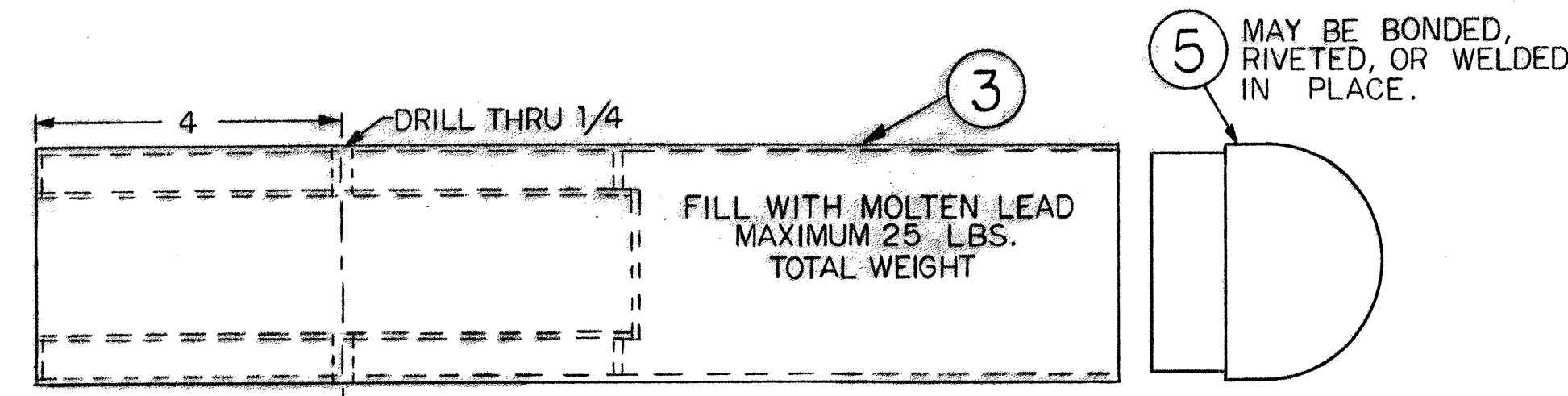
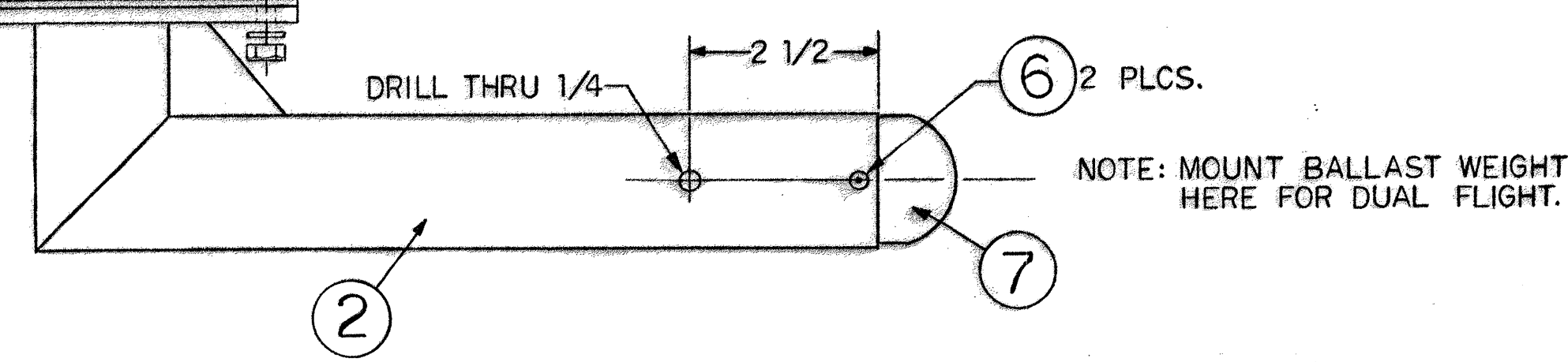
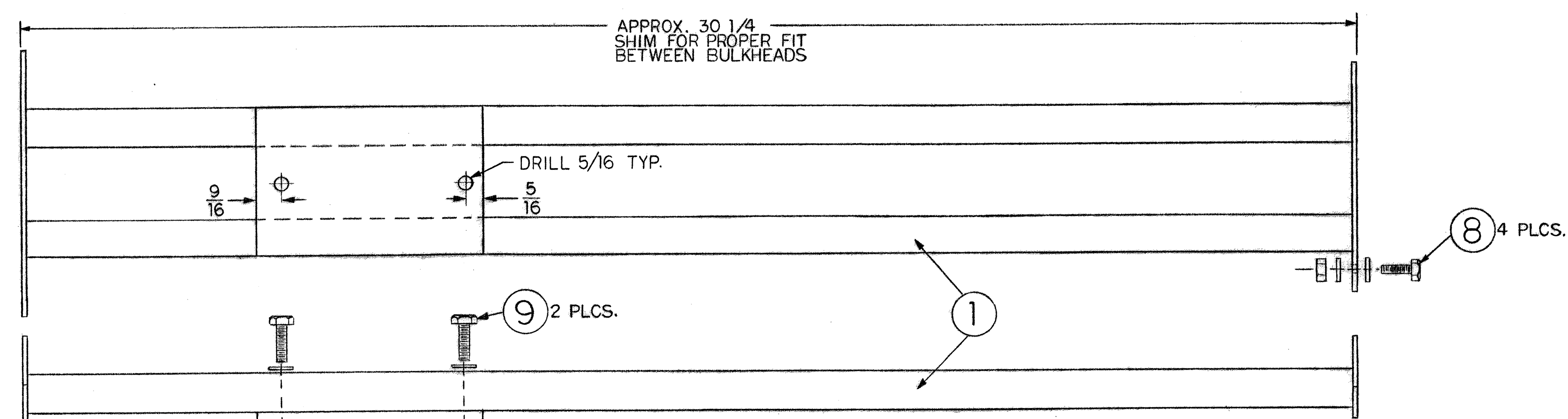
ROTORWAY INTERNATIONAL  
 CHANDLER, ARIZONA

SCALE: NONE	APPROVED BY:	DRAWN BY: WAR
DATE: 3-11-97		REVISED: 11-20-01

11-20-01 REVISION 3: ADD BELT P/NS  
 1-13-00 REVISION 2: UPPER BRG. HSG.  
 10-19-98 REVISION 1: NEW FAN PULLEY

SECONDARY DRIVE, ROTOR TACH SENDER MT,  
 COLLECTIVE SPRING AND SCISSOR MOUNT

DRAWING NUMBER:  
 E23-2000-3

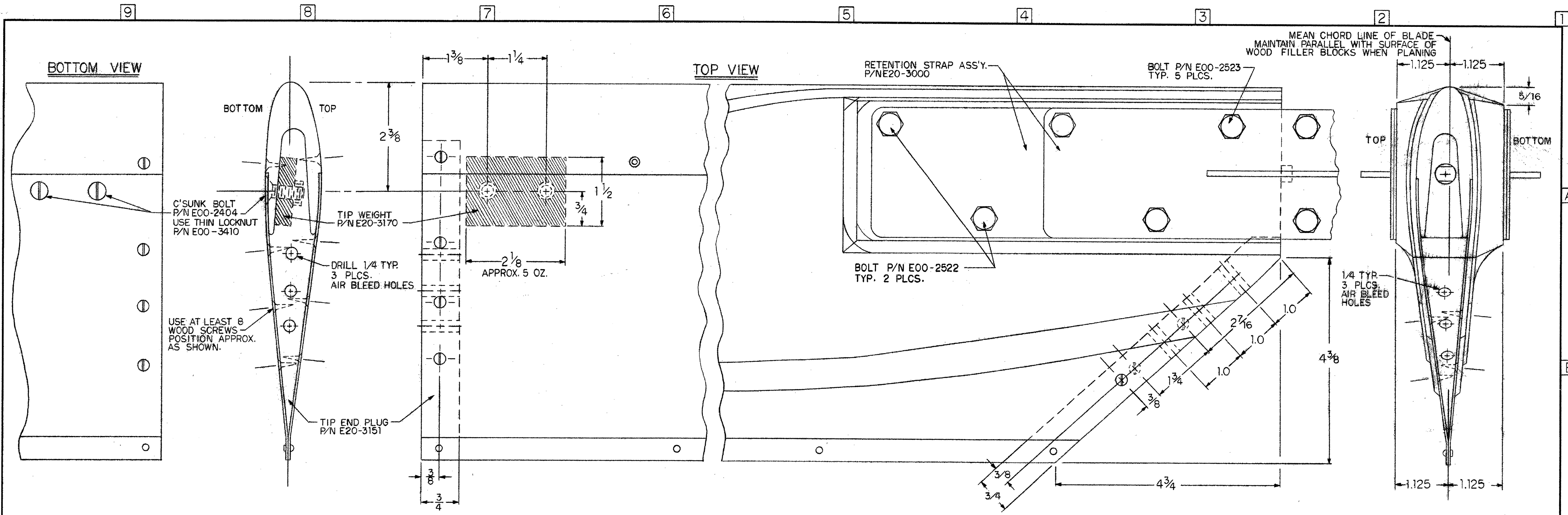


NOTE: FOR SOLO FLIGHT, MOUNT BALLAST WEIGHT ON FRONT OF PASSENGER SIDE SKID

REF. NO.	PART NO.	PART NAME	QTY.
1.	E22-9000	SUPPORT TUBE WELDMENT.....	1
2.	E22-9010	MOUNT TUBE WELDMENT.....	1
3.	E22-9020	BALLAST WEIGHT TUBE WELDMENT..	1
4.	E22-9030	BALLAST WEIGHT PIN WELDMENT...1	1
5.	E22-1092	BALLAST WEIGHT END CAP.....	1
6.	E00-6205	1/8 X 1/4 CSK. POP RIVET.....	2
7.	E22-4100	END PLUG.....	1
8.	E00-2301	BOLT 3/16 X 5/8.....	4
9.	E00-2505	BOLT 5/16 X 7/8.....	2
10.	E22-4120	SAFETY CLIP.....	1

ROTORWAY INTERNATIONAL  
 PHOENIX, ARIZONA  
 SCALE: 1/2  
 DATE: 2-1-91  
 APPROVED BY: *J. King*  
 DRAWN BY WAR  
 REVISED 10-12-94  
**BALLAST WEIGHT**  
 DRAWING NUMBER  
 E22-2000-2

10-12-94 REVISION 2: ADD 162F PART NUMBERS  
 11-1-91 REVISION 1: ADD BALLAST WT. END CAP (7)



C'SUNK BOLT  
P/N E00-2404  
USE THIN LOCKNUT  
P/N E00-3410

TIP WEIGHT  
P/N E20-3170

DRILL 1/4 TYP.  
3 PLCS.  
AIR BLEED HOLES

USE AT LEAST 8  
WOOD SCREWS  
POSITION APPROX.  
AS SHOWN.

TIP END PLUG  
P/N E20-3151

RETENTION STRAP ASS'Y.  
P/NE20-3000

BOLT P/N E00-2523  
TYP. 5 PLCS.

BOLT P/N E00-2522  
TYP. 2 PLCS.

MEAN CHORD LINE OF BLADE  
MAINTAIN PARALLEL WITH SURFACE OF  
WOOD FILLER BLOCKS WHEN

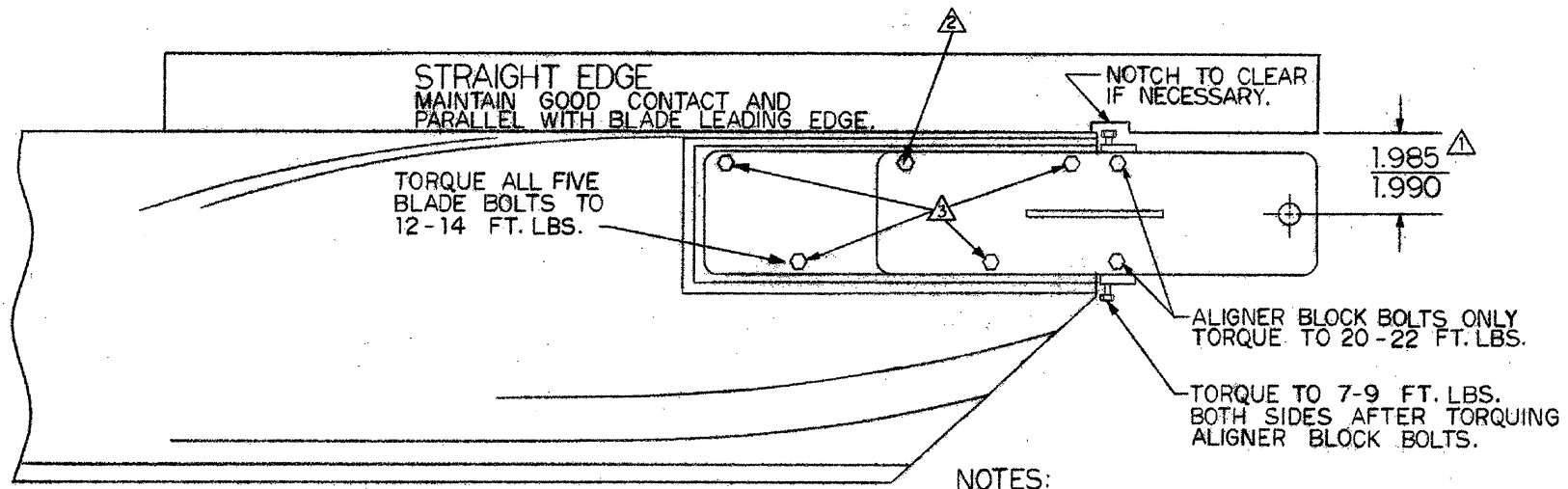
1.125 1.125

5/16

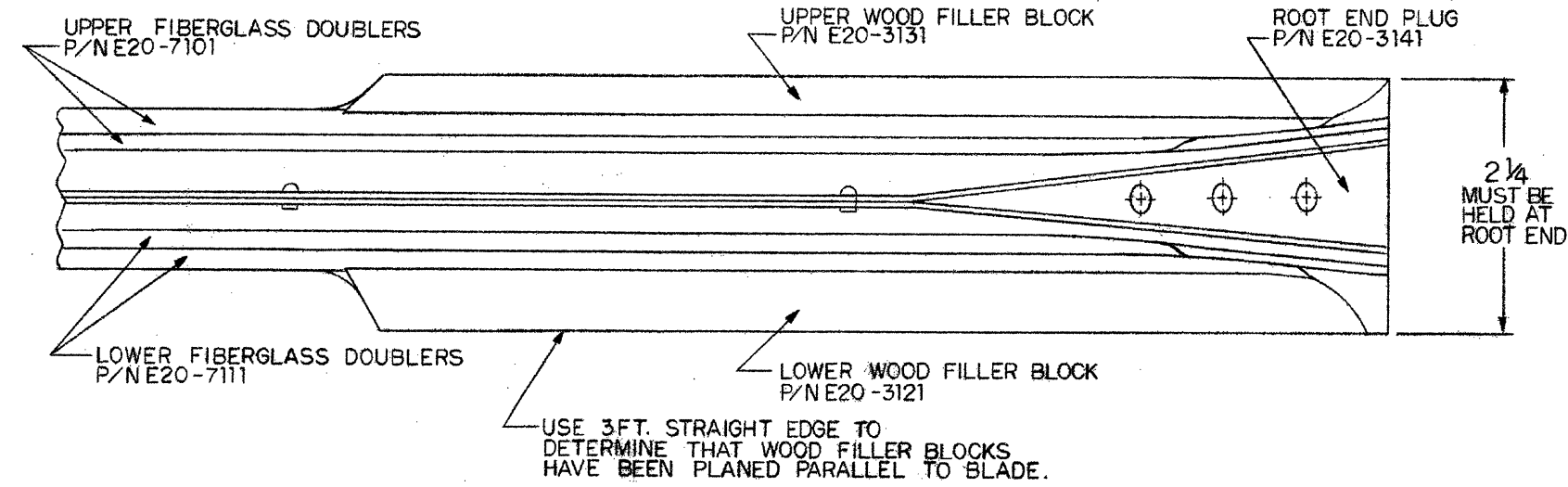
1/4 TYP.  
3 PLCS.  
AIR BLEED HOLES

1.125 1.125

**RETENTION STRAP MOUNTING**



- NOTES:
- ▲ WHEN MAKING THIS MEASUREMENT, ALL ITEMS MUST BE LEVEL- (BLADE, STRAIGHT EDGE, DIAL CALIPER).
  - ▲ PIVOT STRAPS ON THIS BOLT TO GET 1.985-1.990 DIM.
  - ▲ AFTER FINDING LOCATION, PASS 5/16 REAMER OR DRILL THROUGH REMAINING HOLES TO ENSURE EASY BOLT FIT.
  - ▲ USE A THIN COAT OF 3M STRUCTURAL ADHESIVE BETWEEN STRAP AND WOOD FILLER BLOCK.



ROTORWAY INTERNATIONAL PHOENIX, ARIZONA		
SCALE: NONE DATE: 2-1-91	APPROVED BY: <i>[Signature]</i>	DRAWN BY WAR REVISED 3-2-99
ASYMMETRICAL MAIN ROTOR BLADES		
		DRAWING NUMBER E20-2000-1

3-2-99 REVISION 1: PIVOT BOLT 2 CHANGED

9

8

7

6

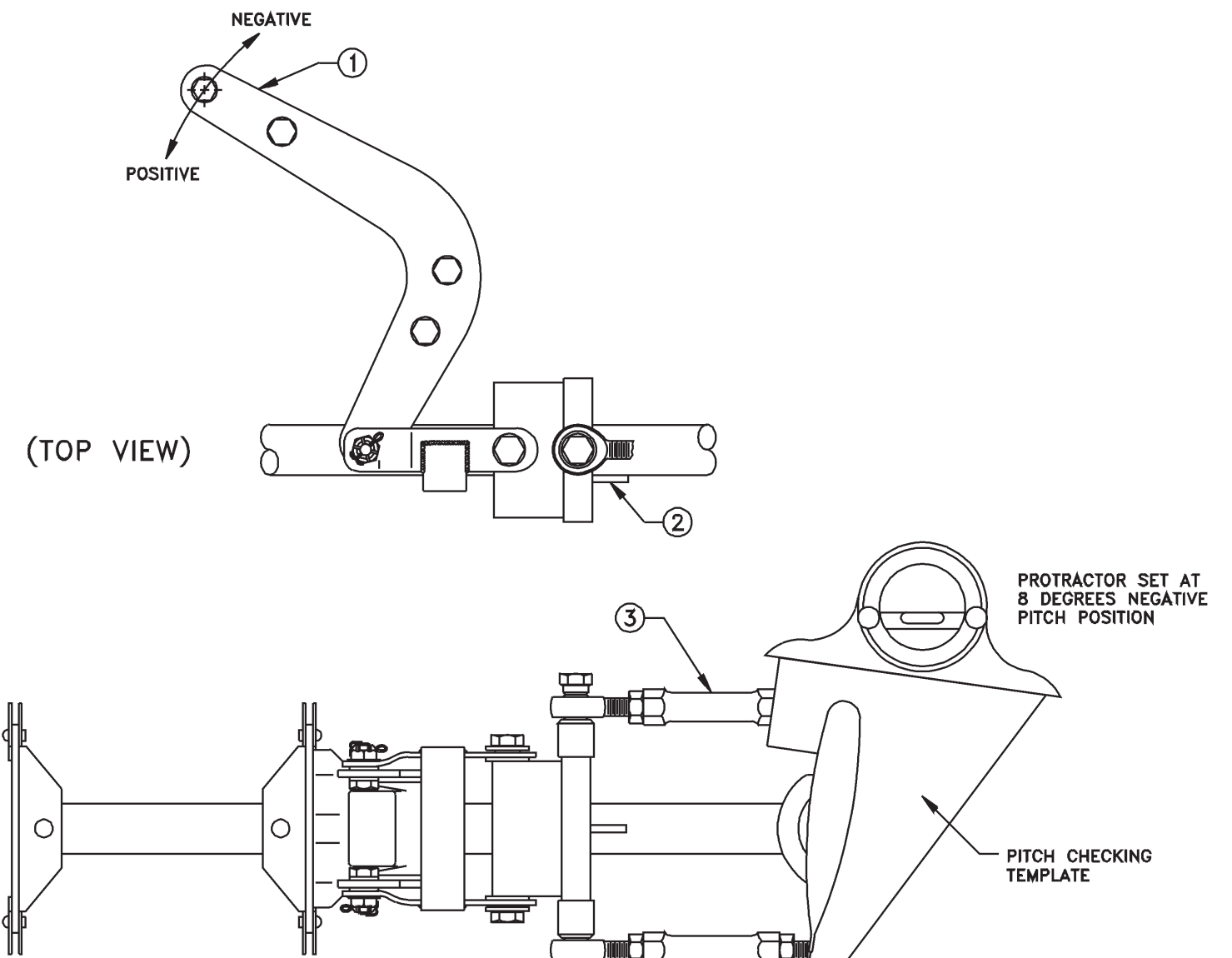
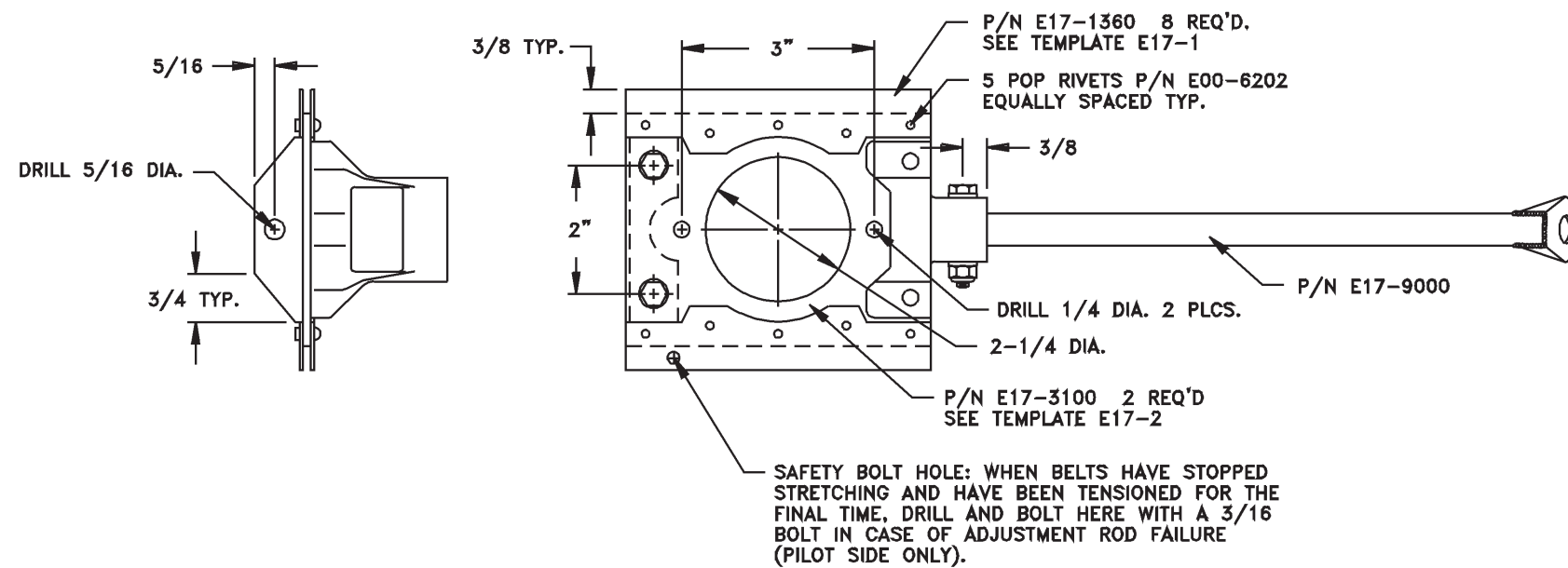
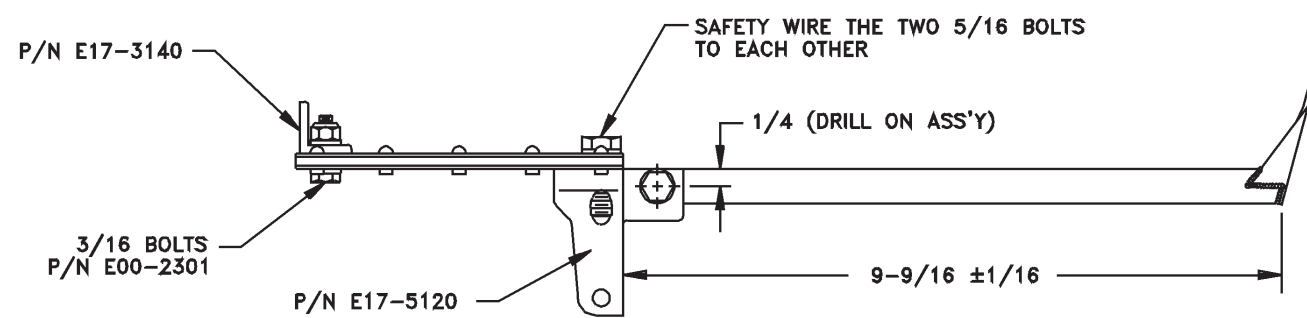
5

4

3

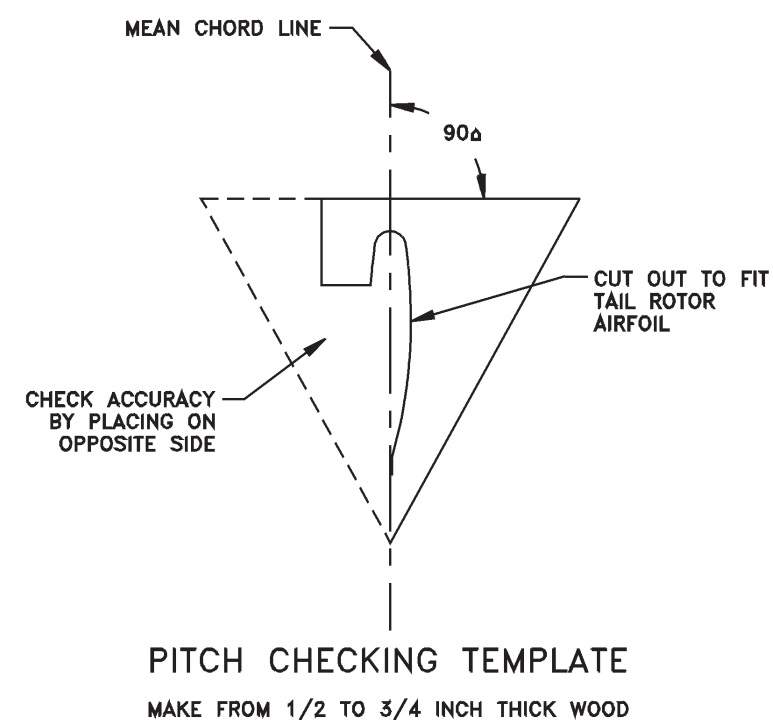
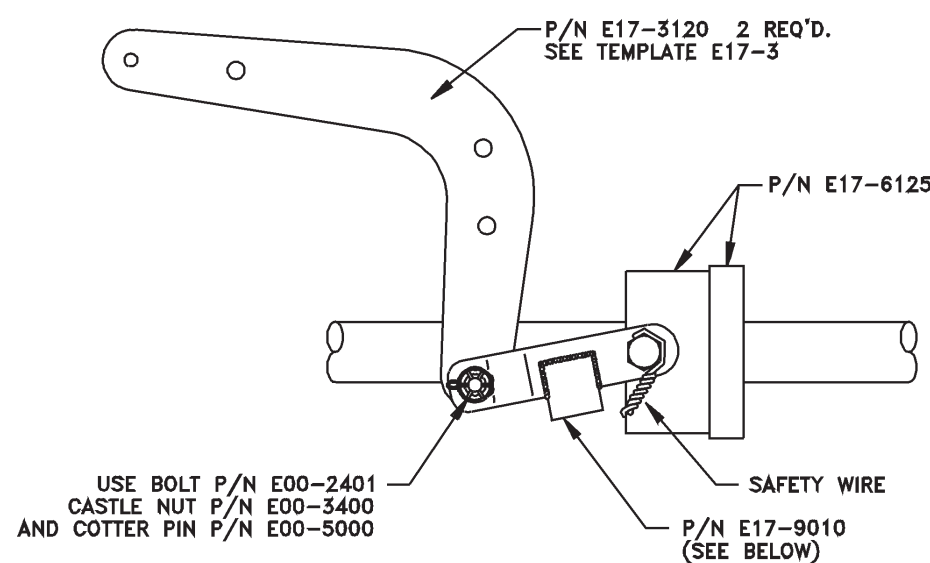
2

1



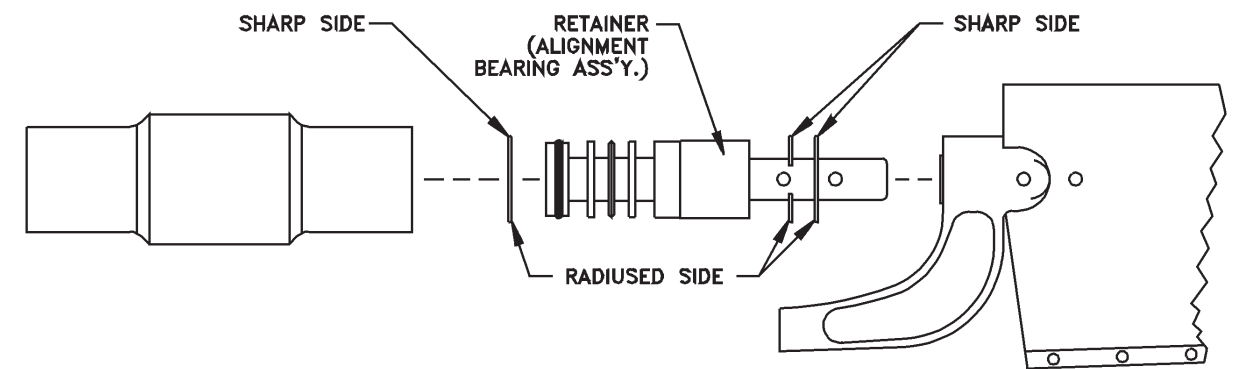
PITCH SETTING

1. PLACE ARM IN FULL NEGATIVE POSITION.
2. KEY SHOULD EXTEND 1/4 TO 5/16 INCH.
3. ADJUST EACH PITCH LINK TO 8 DEGREES READING (ROTATE 180 DEGREES TO CHECK SECOND BLADE).
4. ADJUST BOTH BLADES AS CLOSE AS POSSIBLE TO 8 DEGREES NEGATIVE PITCH (WITHIN 1/2 TURN ON PITCH LINK).
5. AFTER ADJUSTMENTS ARE MADE, CHECK TO ENSURE THAT FULL RIGHT PEDAL WILL GIVE 24 DEGREES POSITIVE PITCH.



PITCH CHECKING TEMPLATE

MAKE FROM 1/2 TO 3/4 INCH THICK WOOD



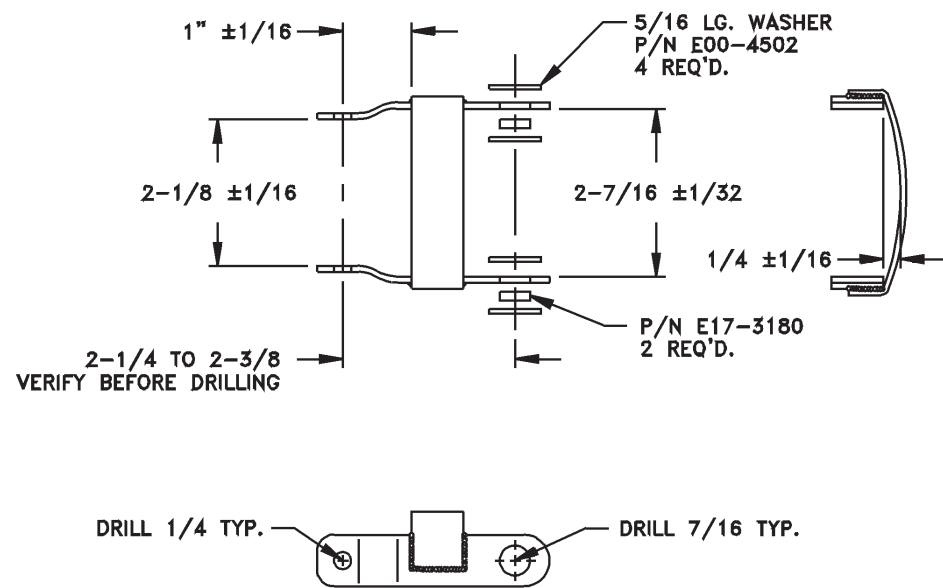
SNAP RING INSTALLATION

INSTALL SNAP RINGS (ONE INNER AND TWO OUTER) WITH RADIUSED EDGES FACING TOWARDS THE RETAINER AND SHARP EDGES FACING OUTWARD. ORIENT SNAP RING ENDS 90 DEGREES FROM DIRECTION OF ROTATION AND 180 DEGREES FROM EACH OTHER.

INSTALLATION AND REMOVAL OF SNAP RINGS MUST BE PERFORMED USING SUITABLE PLIERS. USE OF AN IMPROPER TOOL MAY CAUSE DAMAGE TO THE SNAP RINGS OR GROOVE, RESULTING IN LOSS OF ONE OR BOTH TAIL ROTOR BLADES.

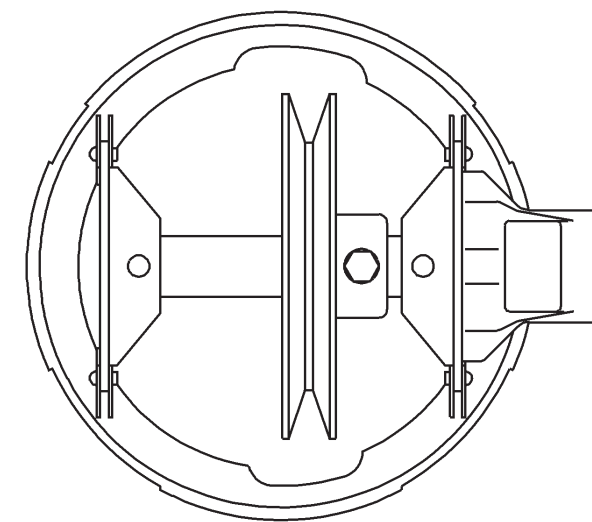
SUGGESTED PLIERS: MILBAR 4450, NEW BRITAIN P67, OR K-D 445.

NOTE: INSTALL TAIL ROTOR BARREL ONTO SHAFT BEFORE INSTALLING PITCH PINS.



TIP CAP INSTALLATION

COMPLETE BALANCING OPERATION BEFORE FINAL TIP CAP INSTALLATION. USE 8 ALUMINUM COUNTERSUNK RIVETS, P/N E00-6200, PER TIP. SPACE AS SHOWN (EXACT LOCATION NOT CRITICAL).



PULLEY MOUNTING

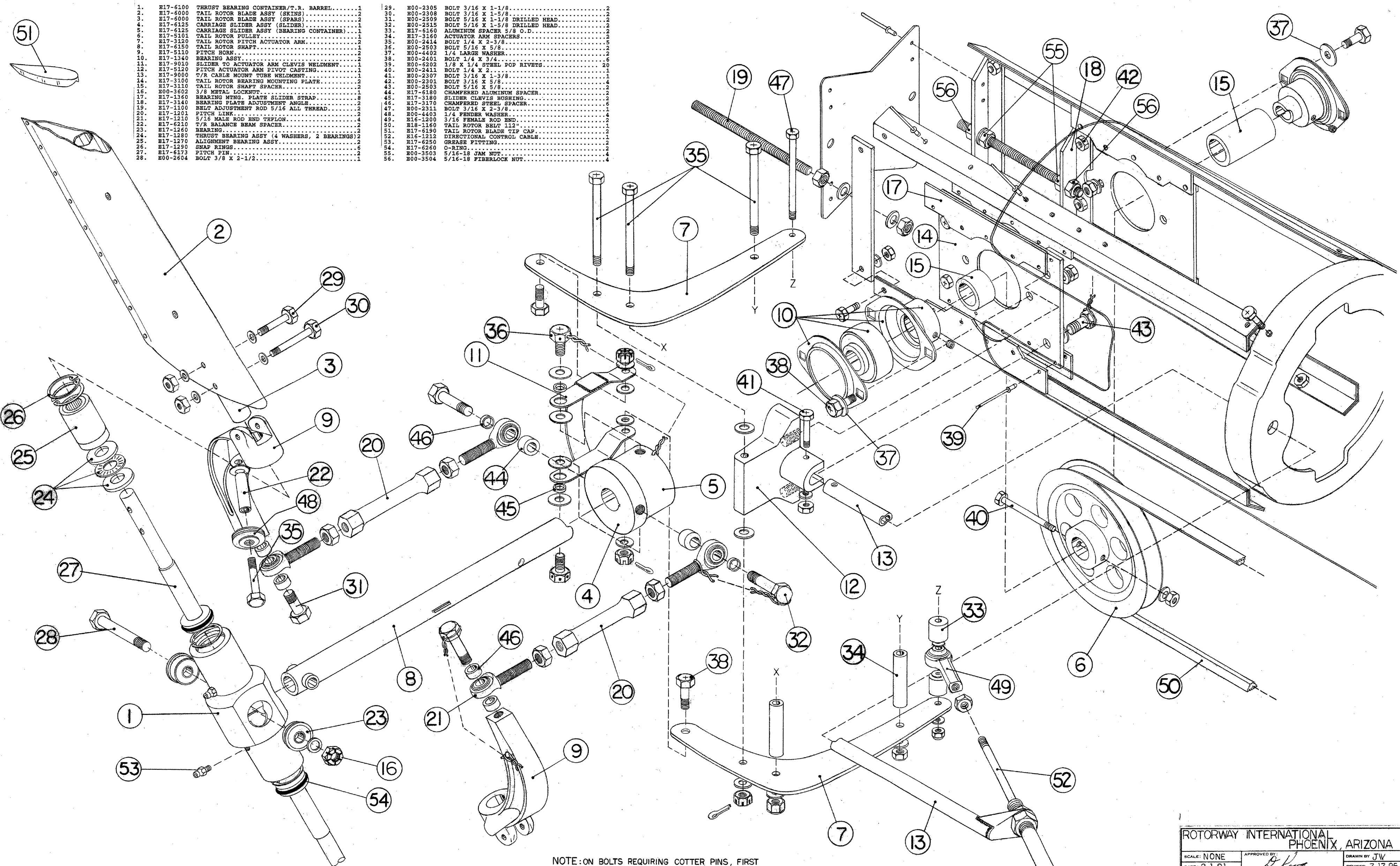
MOUNT PULLEY 1/2 INCH TOWARD PASSENGER SIDE, MAKING SURE BELT IS CENTERED IN RECESS IN THE 4TH BULKHEAD.

ROTORWAY INTERNATIONAL		CHANDLER, ARIZONA	
SCALE: NONE	APPROVED BY:	DRAWN BY: WAR	
DATE: 8-2-93		REVISED: 2-22-95	
TAIL ROTOR DETAILS			
			DRAWING NUMBER: E17-2001-1

2-22-95 REVISION 1: ADD 162F PART NUMBERS

9 8 7 6 5 4 3 2 1

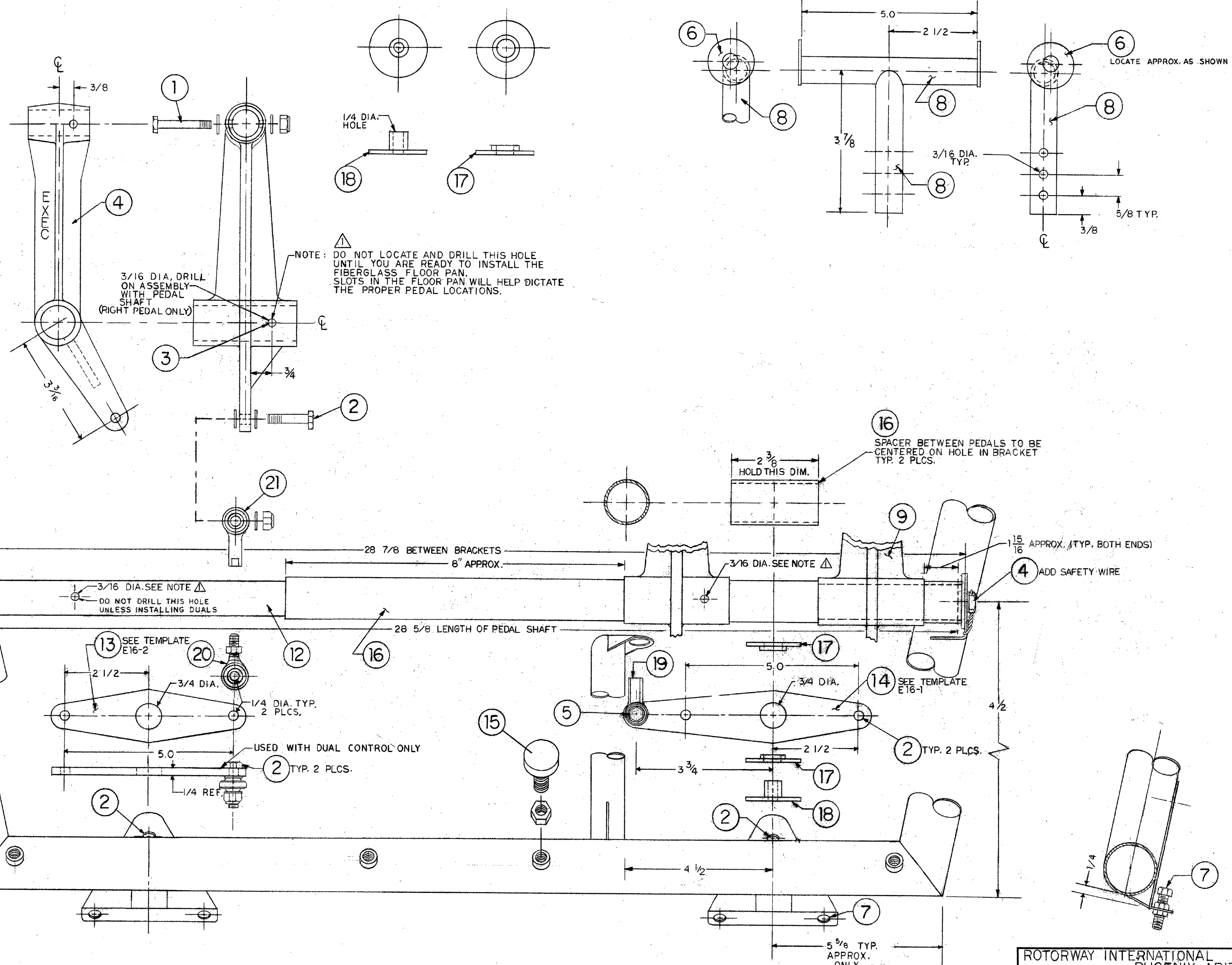
REF. NO.	PART NO.	PART NAME	QTY.	REF. NO.	PART NO.	PART NAME	QTY.
1.	E17-6100	THRUST BEARING CONTAINER/T.R. BARREL.....	1	29.	E00-2305	BOLT 3/16 X 1-1/8.....	2
2.	E17-6000	TAIL ROTOR BLADE ASSY (SKINS).....	2	30.	E00-2308	BOLT 3/16 X 1-5/8.....	2
3.	E17-6000	TAIL ROTOR BLADE ASSY (SPARS).....	2	31.	E00-2509	BOLT 5/16 X 1-1/8 DRILLED HEAD.....	2
4.	E17-6125	CARRIAGE SLIDER ASSY (SLIDER).....	1	32.	E00-2515	BOLT 5/16 X 1-5/8 DRILLED HEAD.....	2
5.	E17-6125	CARRIAGE SLIDER ASSY (BEARING CONTAINER).....	1	33.	E17-6160	ALUMINUM SPACER 5/8 O.D.....	2
6.	E17-5101	TAIL ROTOR PULLEY.....	1	34.	E17-3160	ACTUATOR ARM SPACERS.....	2
7.	E17-3120	TAIL ROTOR PITCH ACTUATOR ARM.....	2	35.	E00-2414	BOLT 1/4 X 2-3/8.....	5
8.	E17-6150	TAIL ROTOR SHAFT.....	1	36.	E00-2503	BOLT 5/16 X 5/8.....	2
9.	E17-5110	PITCH HORN.....	2	37.	E00-4402	1/4 LARGE WASHER.....	2
10.	E17-1340	BEARING ASSY.....	2	38.	E00-2401	BOLT 1/4 X 3/4.....	6
11.	E17-9010	SLIDER TO ACTUATOR ARM CLEVIS WELDMENT.....	1	39.	E00-6202	1/8 X 1/4 STEEL POP RIVETS.....	20
12.	E17-5120	PITCH ACTUATOR ARM PIVOT CASING.....	1	40.	E00-2411	BOLT 1/4 X 2.....	1
13.	E17-9000	T/R CABLE MOUNT TUBE WELDMENT.....	1	41.	E00-2307	BOLT 3/16 X 1-3/8.....	1
14.	E17-3100	TAIL ROTOR BEARING MOUNTING PLATE.....	2	42.	E00-2301	BOLT 3/16 X 5/8.....	4
15.	E17-3110	TAIL ROTOR SHAFT SPACER.....	2	43.	E00-2503	BOLT 5/16 X 5/8.....	2
16.	E00-3602	3/8 METAL LOCKNUT.....	1	44.	E17-6180	CHAMFERED ALUMINUM SPACER.....	2
17.	E17-1360	BEARING MING. PLATE SLIDER STRAP.....	8	45.	E17-3180	SLIDER CLEVIS BUSHING.....	2
18.	E17-3140	BEARING PLATE ADJUSTMENT ANGLE.....	2	46.	E17-3170	CHAMFERED STEEL SPACER.....	6
19.	E17-1100	BELT ADJUSTMENT ROD 5/16 ALL THREAD.....	2	47.	E00-2311	BOLT 3/16 X 2-3/8.....	1
20.	E17-1201	PITCH LINK.....	2	48.	E00-4403	1/4 FENDER WASHER.....	4
21.	E17-1210	5/16 MALE ROD END TYPION.....	4	49.	E16-1200	3/16 FEMALE ROD END.....	2
22.	E17-6210	T/R BALANCE BEAM SPACER.....	2	50.	E18-1160	TAIL ROTOR BELT 112.....	1
23.	E17-1260	BEARING.....	2	51.	E17-6190	TAIL ROTOR BLADE TIP CAP.....	2
24.	E17-1280	THRUST BEARING ASSY (4 WASHERS, 2 BEARINGS).....	2	52.	E16-1215	DIRECTIONAL CONTROL CABLE.....	1
25.	E17-1270	ALIGNMENT BEARING ASSY.....	2	53.	E17-6250	GRABE FITTING.....	2
26.	E17-1290	SNAP RINGS.....	6	54.	E17-6260	O-RING.....	2
27.	E17-6173	PITCH PIN.....	2	55.	E00-3503	5/16-18 JAM NUT.....	2
28.	E00-2604	BOLT 3/8 X 2-1/2.....	1	56.	E00-3504	5/16-18 FIBERLOCK NUT.....	4



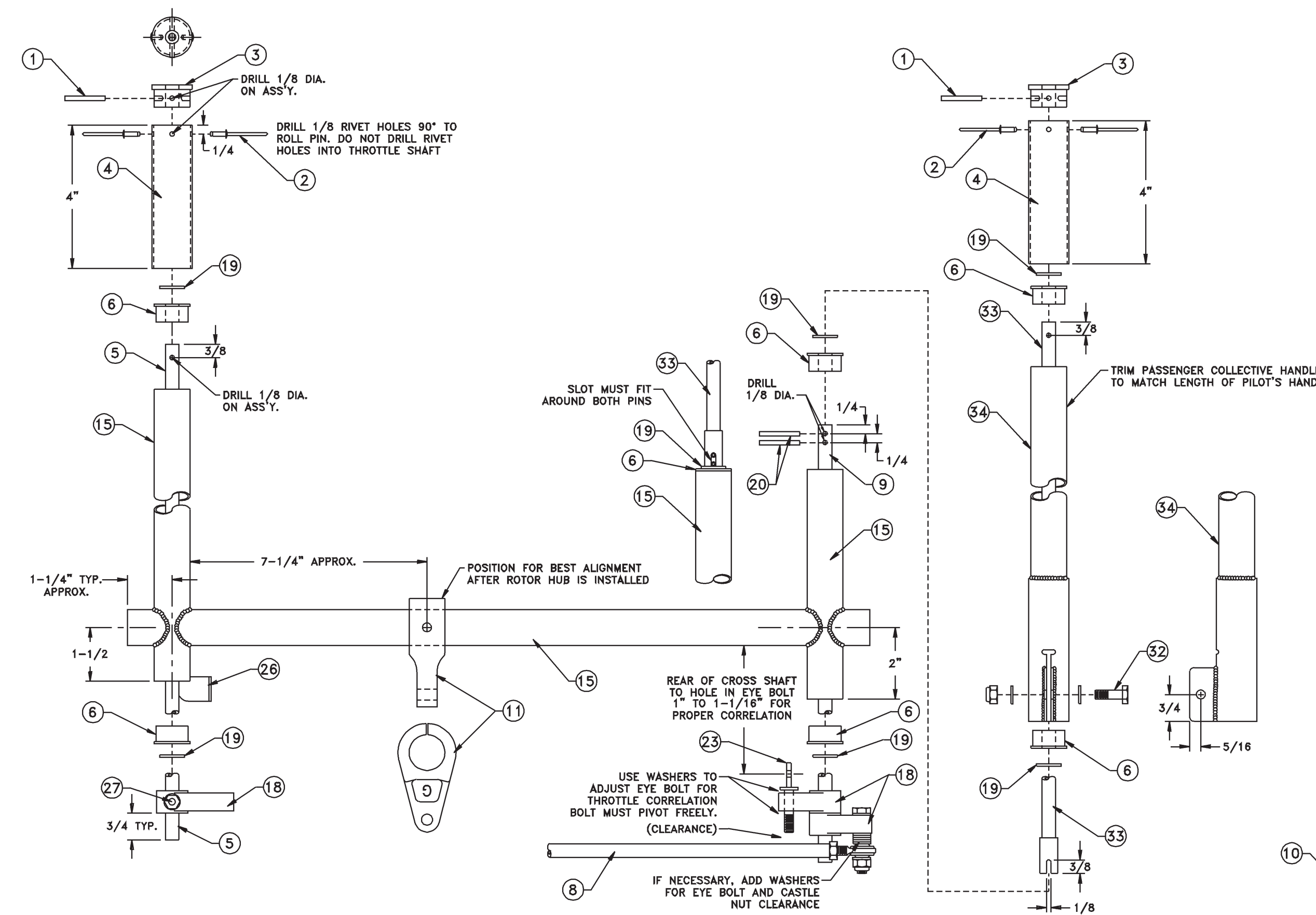
NOTE: ON BOLTS REQUIRING COTTER PINS, FIRST FIND CORRECT TENSION OF NUT, THEN DRILL COTTER PIN HOLE THROUGH BOLT IN LINE WITH SLOTS OF NUT.

ROTORWAY INTERNATIONAL PHOENIX, ARIZONA		
SCALE: NONE DATE: 2-1-91	APPROVED BY: 	DRAWN BY: J.V. REVISED: 7-17-95
<b>TAIL ROTOR</b>		
7-17-95 REVISION 3: CALLOUT NUT P/Ns 69 AND 68 2-22-95 REVISION 2: ADD 162 F PART NUMBERS 5-10-93 REVISION 1: ADD FITTING 63 AND O-RING 64		DRAWING NUMBER <b>E17-2000-3</b>

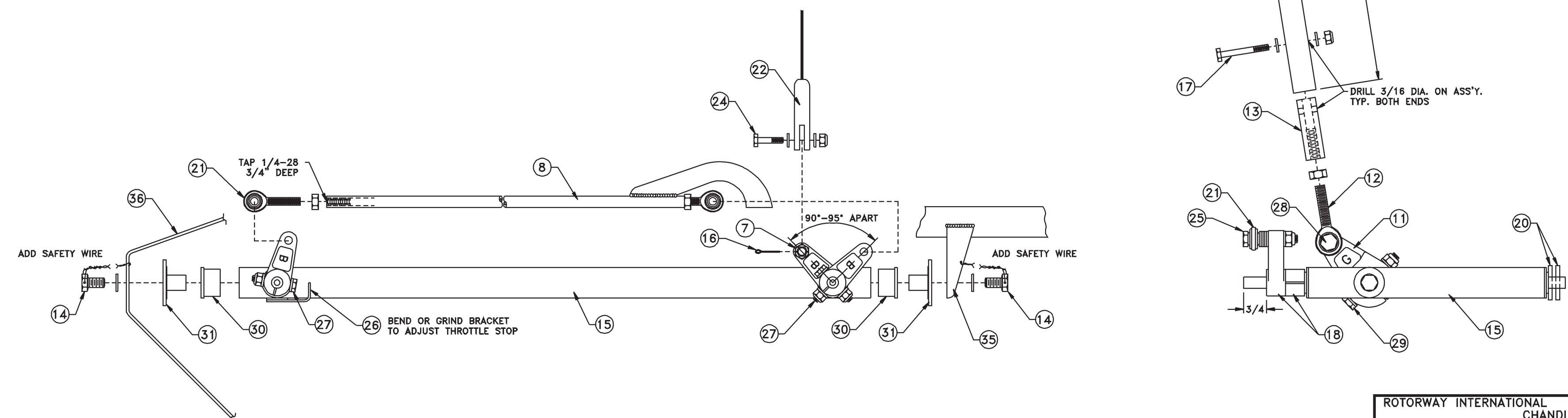
REF NO.	PART NO.	PART NAME	QTY.
1.	E00-2308	BOLT 3/16 X 1-5/8	4
2.	E00-2406	BOLT 1/4 X 1-1/8	10
3.	E00-2308	BOLT 3/16 X 1-5/8	2
4.	E00-2501	BOLT 5/16 X 1/2 W/SAFETY WIRE	2
5.	E00-2305	BOLT 3/16 X 1-1/8	1
6.	E00-4701	WASHER 1/2 I.D.	8
7.	E00-2408	BOLT 1/4 X 1-1/2 FULL THREAD	4
8.	E16-9000	FOOT PEDAL WELDMENT	4
9.	E16-5100	FOOT PEDAL	4
10.	E16-1190	NYLON PIVOT BUSHING	2
11.	E16-6131	CROSS SHAFT MOUNT BUSHING ALUMINUM	2
12.	E16-3101	FOOT PEDAL CROSS SHAFT	1
13.	E16-3150	SCISSOR BEAM (PASSENGER)	1
14.	E16-3120	SCISSOR BEAM (PILOT)	1
15.	E32-3150	BODY SUPPORT ADJUSTMENT PADS	4
16.	E16-3110	FOOT PEDAL SPACER (CUT TO LENGTH)	5
17.	E16-6120	NYLON SCISSOR BEAM PIVOT BUSHING	4
18.	E16-6130	ALUM. SCISSOR MOUNT BUSHING	2
19.	E16-1200	3/16 FEMALE ROD END	2
20.	E16-1130	1/4 MALE ROD END	4
21.	E16-1140	1/4 FEMALE ROD END	4



ROTORWAY INTERNATIONAL PHOENIX, ARIZONA		
SCALE: NONE DATE: 2-1-91	APPROVED BY: <i>B. King</i>	DRAWN BY: R.M.M. REVISED 5-2-94
DIRECTIONAL CONTROL		
5-2-94 REVISION 1: PADS (8) ADDED		DRAWING NUMBER E16-2000-1



REF. NO.	PART NO.	PART NAME	QTY.
1.	E00-5102	1/8 X 1-1/8 ROLL PIN.....	2
2.	E00-8202	1/8 X 1/4 STEEL POP RIVET.....	4
3.	E15-6120	END PLUG.....	2
4.	E15-3100	THROTTLE GRIP SLEEVE.....	2
5.	E15-3150	PILOT THROTTLE SHAFT.....	1
6.	E15-6110	NYLON THROTTLE SHAFT BUSHING.....	6
7.	E00-3400	1/4 CASTLE NUT.....	1
8.	E15-9030	THROTTLE CONNECTOR WELDMENT.....	1
9.	E15-3170	TRANSFER SHAFT.....	1
10.	E49-1400	ELASTOMERIC CONTROL ROD.....	1
11.	E15-1590	G CONTROL ARM.....	1
12.	E15-1230	5/16 MALE ROD END.....	2
13.	E15-6130	COLLECTIVE CONTROL END PLUG.....	2
14.	E00-2501	BOLT 5/16 X 1/2 DRILLED HEAD.....	2
15.	E15-9001	COLLECTIVE CROSS SHAFT WELDMENT.....	1
16.	E00-5000	1/16 X 3/4 COTTER PIN.....	1
17.	E00-2305	BOLT 3/16 X 1-1/8.....	2
18.	E15-5110	B CONTROL ARM.....	3
19.	E00-4600	3/8 WASHER.....	6
20.	E00-5101	1/8 X 3/4 ROLL PIN.....	2
21.	E15-1150	1/4 MALE ROD END.....	2
22.	E24-7530	THROTTLE CABLE ASS'Y.....	1
23.	E00-2419	1/4" EYE BOLT.....	1
24.	E00-2304	BOLT 3/16 X 7/8.....	1
25.	E00-2407	BOLT 1/4 X 1-3/8.....	2
26.	E15-3140	THROTTLE STOP.....	1
27.	E00-2306	BOLT 3/16 X 1-1/4.....	3
28.	E00-2514	BOLT 5/16 X 1-3/4.....	1
29.	E00-2412	BOLT 1/4 X 2-1/8.....	1
30.	E15-1190	NYLON PIVOT BUSHING.....	2
31.	E15-6131	CROSS SHAFT MOUNT BUSHING.....	2
32.	E00-2400	BOLT 1/4 X 5/8.....	1
33.	E15-9021	THROTTLE SHAFT WELDMENT.....	1
34.	E15-9011	PASSENGER COLLECTIVE HANDLE.....	1
35.	E12-3160	INSIDE COLLECTIVE BKT.(ON AIRFRAME).....	1
36.	E12-3170	OUTSIDE COLLECTIVE BKT.(ON AIRFRAME).....	1

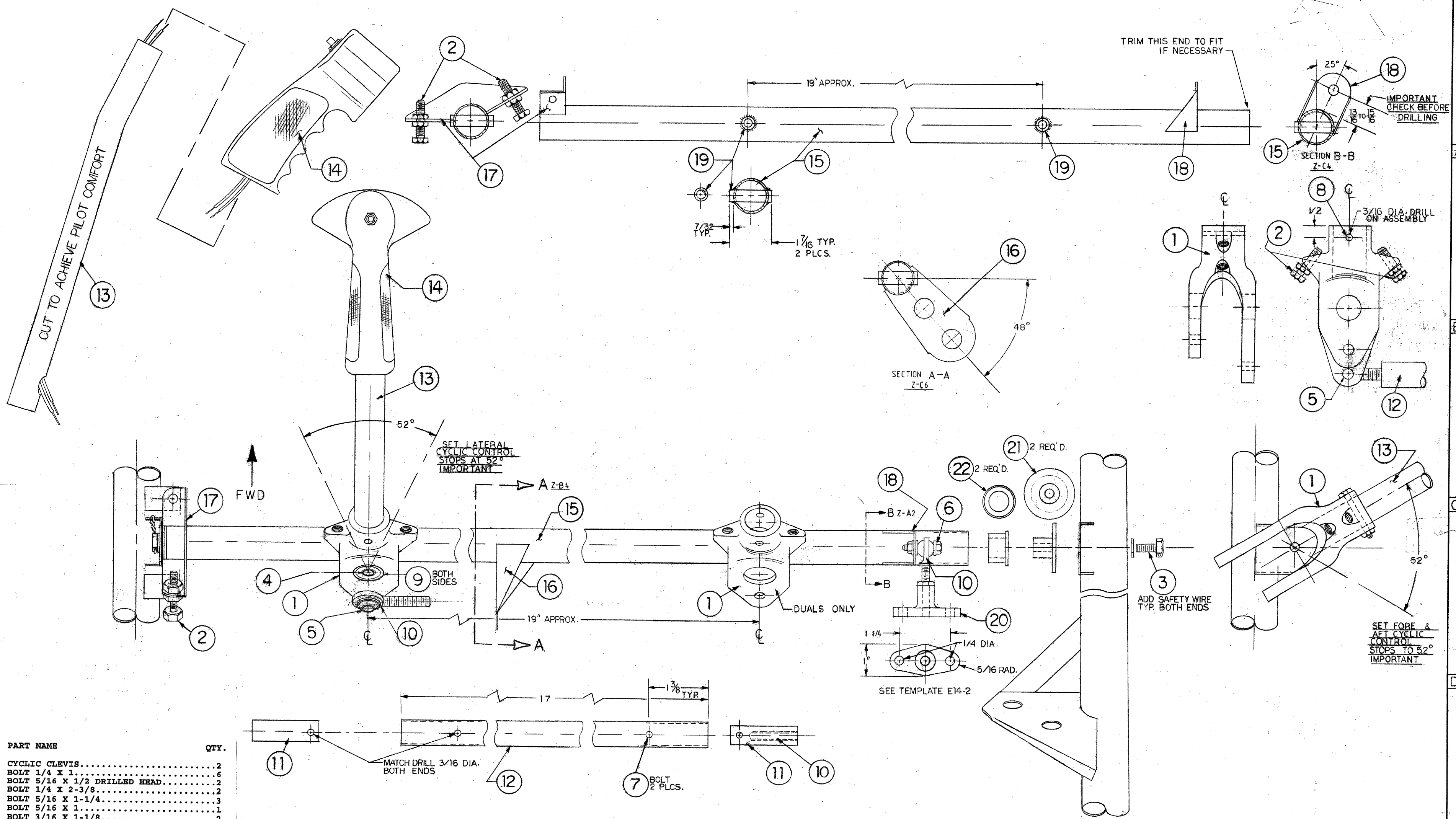


ROTORWAY INTERNATIONAL  
 CHANDLER, ARIZONA  
 SCALE: NONE    APPROVED BY:    DRAWN BY: WAR  
 DATE: 6-26-96    REVISED: 1-25-01  
**COLLECTIVE CONTROL**  
 DRAWING NUMBER: E15-2000-2

1-25-01 REVISION 2: COLLECTIVE HANDLE (34)  
 3-24-99 REVISION 1: ADD BOLT DIMENSION (23)

A  
B  
C  
D  
E

9 8 7 6 5 4 3 2 1



REF. NO.	PART NO.	PART NAME	QTY.
1.	E14-5200	CYCLIC CLEVIS.....	2
2.	E00-2402	BOLT 1/4 X 1.....	6
3.	E00-2501	BOLT 5/16 X 1/2 DRILLED HEAD.....	2
4.	E00-2414	BOLT 1/4 X 2-3/8.....	2
5.	E00-2510	BOLT 5/16 X 1-1/4.....	3
6.	E00-2507	BOLT 5/16 X 1.....	1
7.	E00-2305	BOLT 3/16 X 1-1/8.....	2
8.	E00-2308	BOLT 3/16 X 1-5/8.....	2
9.	E14-1241	NYLON BUSHING.....	4
10.	E14-1150	5/16 MALE ROD END.....	6
11.	E14-6130	CYCLIC CONTROL ROD END PLUG.....	2
12.	E14-3310	DUAL LATERAL SHAFT 3/4 X .065 ALUM.....	1
13.	E14-3200	CYCLIC STICK 7/8 X 14" PREBENT.....	2
14.	E14-6201	CYCLIC HANDLE.....	2
15.	E14-9000	CYCLIC SHAFT WELDMENT.....	1
16.	E14-3231	(REF. P/N) LATERAL CABLE BRACKET.....	1
17.	E14-3251	(REF. P/N) FORE & AFT CYCLIC BRACKET.....	1
18.	E14-3220	(REF. P/N) FORE & AFT CABLE BRACKET.....	1
19.	E14-3320	(REF. P/N) BUSHING.....	2
20.	E14-6120	CYCLIC CABLE CONTROL "T".....	4
21.	E14-6131	CROSS SHAFT MOUNT BUSHING.....	2
22.	E14-1190	NYLON PIVOT BUSHING.....	2

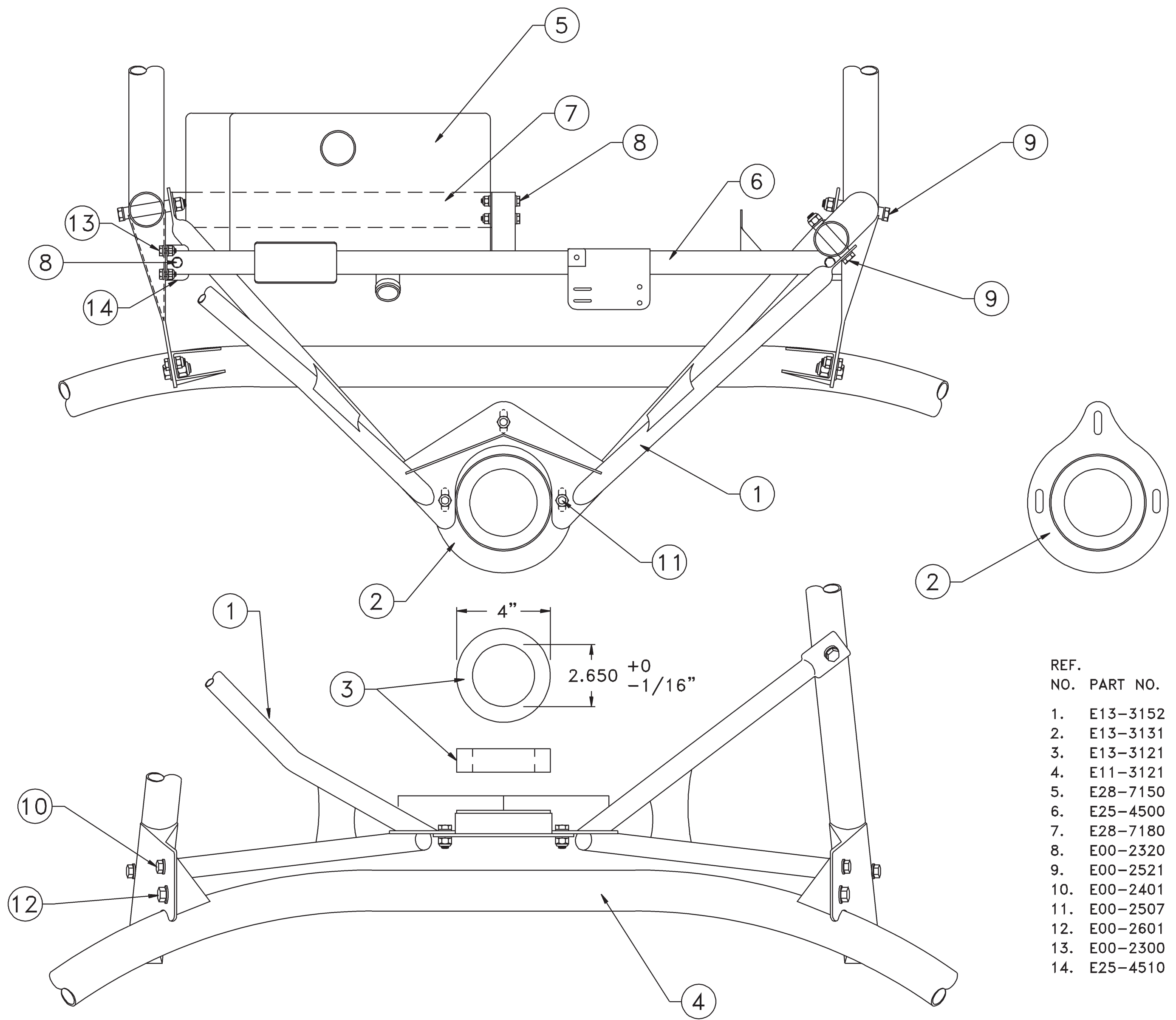
8-22-97 REVISION 3: SHAFT (2) WAS 16 3/8" LONG  
 5-29-96 REVISION 2: SHAFT (2) WAS 15 3/8" LONG  
 2-22-95 REVISION 1: 19" APPROX. WAS 18" (2 PLACES)

ROTORWAY INTERNATIONAL  
 PHOENIX, ARIZONA

SCALE: NONE APPROVED BY: *R.M.M.* DRAWN BY: R.M.M.  
 DATE: 2-1-91 REVISED 8-22-97

CYCLIC CONTROL

DRAWING NUMBER  
 E14-2000-3



REF. NO.	PART NO.	PART NAME	QTY.
1.	E13-3152	ENGINE MOUNT WELDMENT.....	1
2.	E13-3131	ENGINE MOUNT SUPPORT RING.....	1
3.	E13-3121	ENGINE MOUNT RUBBER RING.....	1
4.	E11-3121	REAR LANDING GEAR WELDMENT.....	1
5.	E28-7150	OIL SUMP/HEAT EXCHANGER.....	1
6.	E25-4500	FUEL SYSTEM MOUNT TUBE.....	1
7.	E28-7180	SUMP STRAP 1-1/2 X .063.....	1
8.	E00-2320	BOLT 3/16 X 1-1/2.....	4
9.	E00-2521	BOLT 5/16 X 2-5/8.....	4
10.	E00-2401	BOLT 1/4 X 3/4.....	2
11.	E00-2507	BOLT 5/16 X 1.....	3
12.	E00-2601	BOLT 3/8 X 1.....	2
13.	E00-2300	BOLT 3/16 X 1/2.....	4
14.	E25-4510	MOUNTING TABS (1 MAKES 2).....	2

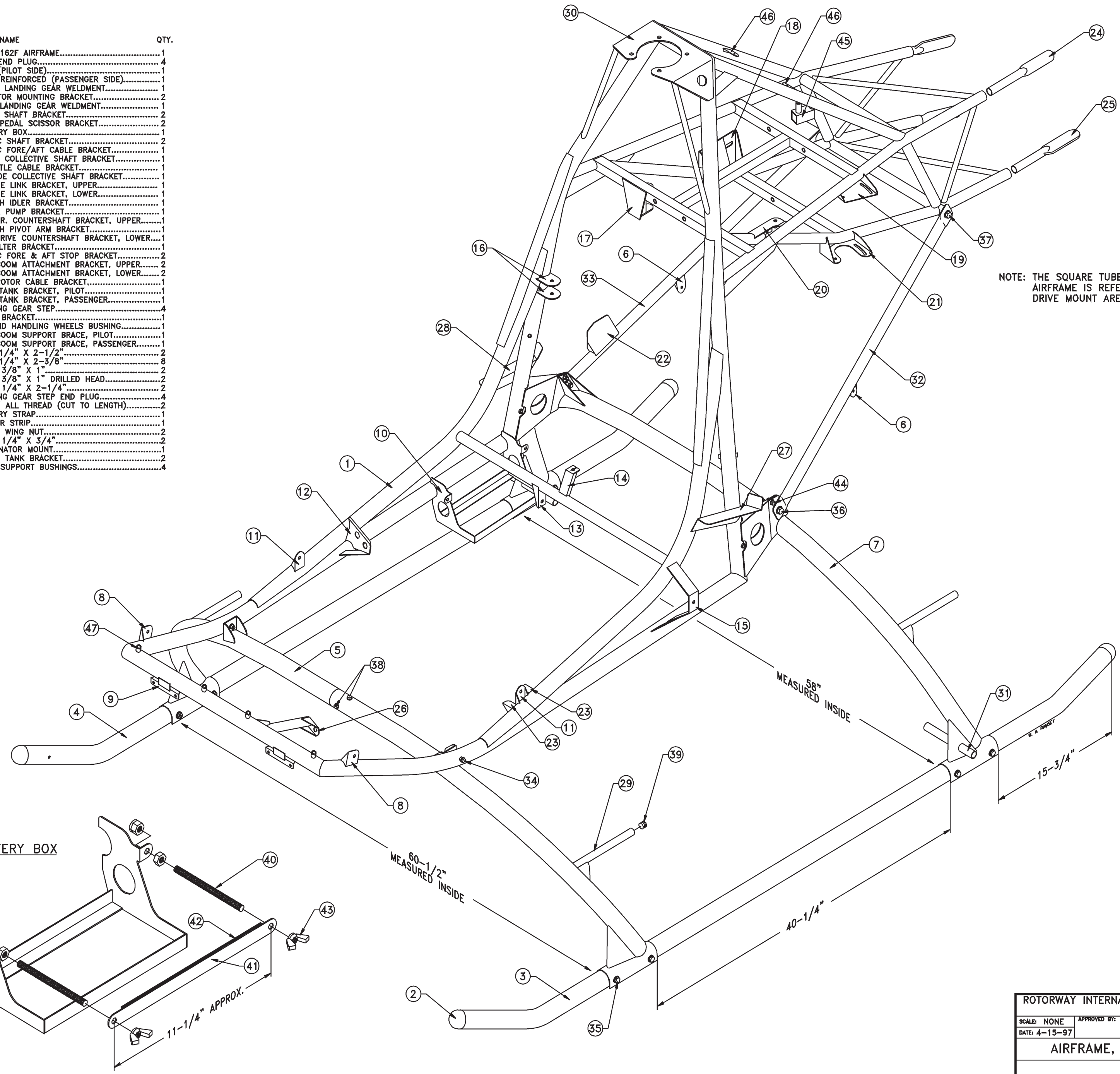
ROTORWAY INTERNATIONAL  
 CHANDLER, ARIZONA  
 SCALE: NONE    APPROVED BY:    DRAWN BY: WAR  
 DATE: 5-2-94    REVISED: 8-19-96

**ENGINE MOUNT**

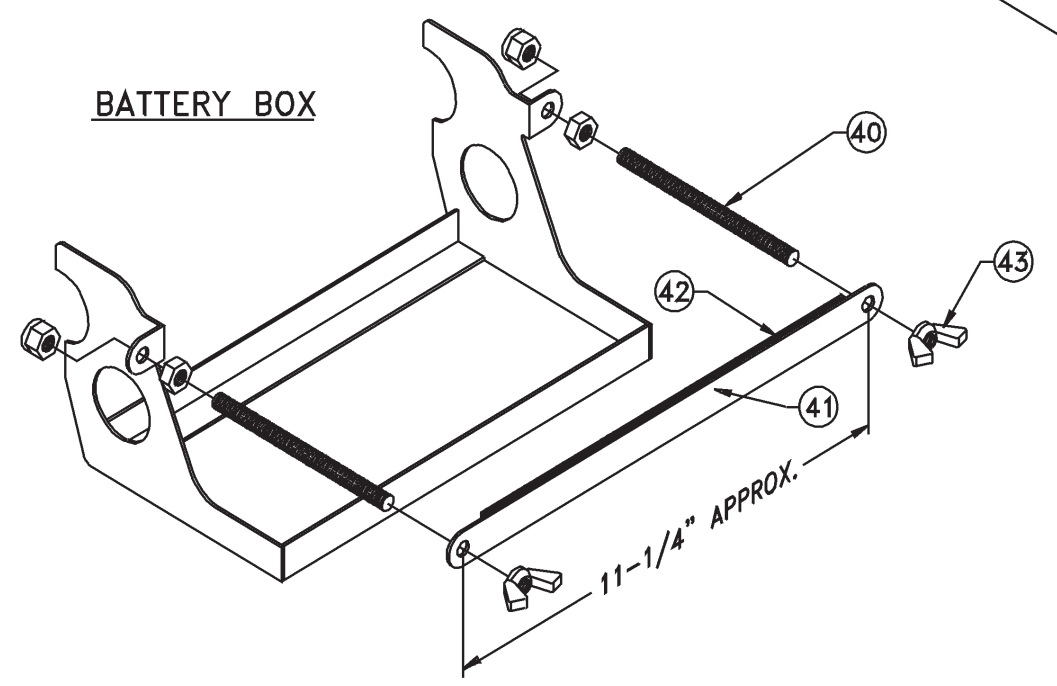
DRAWING NUMBER:  
E13-2000-3

8-19-96 REVISION 3: (3) WAS P/N E13-3120  
 5-29-96 REVISION 2: (1) WAS P/N E13-3151  
 9-09-94 REVISION 1: ADD MOUNT TUBE (6)

REF. NO.	PART NO.	PART NAME	QTY.
1.	E10-1001	EXEC 162F AIRFRAME.....	1
2.	E11-4100	SKID END PLUG.....	4
3.	E11-3130	SKID (PILOT SIDE).....	1
4.	E11-3131	SKID, REINFORCED (PASSENGER SIDE).....	1
5.	E11-9000	FRONT LANDING GEAR WELDMENT.....	1
6.	E12-3640	RADIATOR MOUNTING BRACKET.....	2
7.	E11-9010	REAR LANDING GEAR WELDMENT.....	1
8.	E12-3120	PEDAL SHAFT BRACKET.....	2
9.	E12-3100	FOOT PEDAL SCISSOR BRACKET.....	2
10.	E12-3480	BATTERY BOX.....	1
11.	E12-3130	CYCLIC SHAFT BRACKET.....	2
12.	E12-3151	CYCLIC FORE/AFT CABLE BRACKET.....	1
13.	E12-3160	INSIDE COLLECTIVE SHAFT BRACKET.....	1
14.	E12-3500	THROTTLE CABLE BRACKET.....	1
15.	E12-3170	OUTSIDE COLLECTIVE SHAFT BRACKET.....	1
16.	E12-3191	TORQUE LINK BRACKET, UPPER.....	1
17.	E12-3192	TORQUE LINK BRACKET, LOWER.....	1
18.	E12-3200	CLUTCH IDLER BRACKET.....	1
19.	E12-3290	WATER PUMP BRACKET.....	1
20.	E12-3260	FAN DR. COUNTERSHAFT BRACKET, UPPER.....	1
21.	E12-3230	CLUTCH PIVOT ARM BRACKET.....	1
22.	E12-3270	FAN DRIVE COUNTERSHAFT BRACKET, LOWER.....	1
23.	E12-3453	OIL FILTER BRACKET.....	1
24.	E12-3141	CYCLIC FORE & AFT STOP BRACKET.....	2
25.	E09-3221	TAIL BOOM ATTACHMENT BRACKET, UPPER.....	2
26.	E09-3231	TAIL BOOM ATTACHMENT BRACKET, LOWER.....	2
27.	E12-3320	TAIL ROTOR CABLE BRACKET.....	1
28.	E12-3601	FUEL TANK BRACKET, PILOT.....	1
29.	E12-3611	FUEL TANK BRACKET, PASSENGER.....	1
30.	E11-3141	LANDING GEAR STEP.....	4
31.	E12-3411	HOOD BRACKET.....	1
32.	E37-4100	GROUND HANDLING WHEELS BUSHING.....	1
33.	E10-3241	TAIL BOOM SUPPORT BRACE, PILOT.....	1
34.	E10-3248	TAIL BOOM SUPPORT BRACE, PASSENGER.....	1
35.	E00-2415	BOLT 1/4" X 2-1/2".....	2
36.	E00-2414	BOLT 1/4" X 2-3/8".....	8
37.	E00-2601	BOLT, 3/8" X 1".....	2
38.	E00-2606	BOLT, 3/8" X 1" DRILLED HEAD.....	2
39.	E00-2413	BOLT, 1/4" X 2-1/4".....	2
40.	E11-4110	LANDING GEAR STEP END PLUG.....	4
41.	E10-4010	5-16" ALL THREAD (CUT TO LENGTH).....	2
42.	E10-4020	BATTERY STRAP.....	1
43.	E10-4030	RUBBER STRIP.....	1
44.	E00-3505	5/16" WING NUT.....	2
45.	E00-2401	BOLT, 1/4" X 3/4".....	2
46.	E10-6210	ALTERNATOR MOUNT.....	1
47.	E12-3650	SURGE TANK BRACKET.....	2
48.	E10-6230	BODY SUPPORT BUSHINGS.....	4

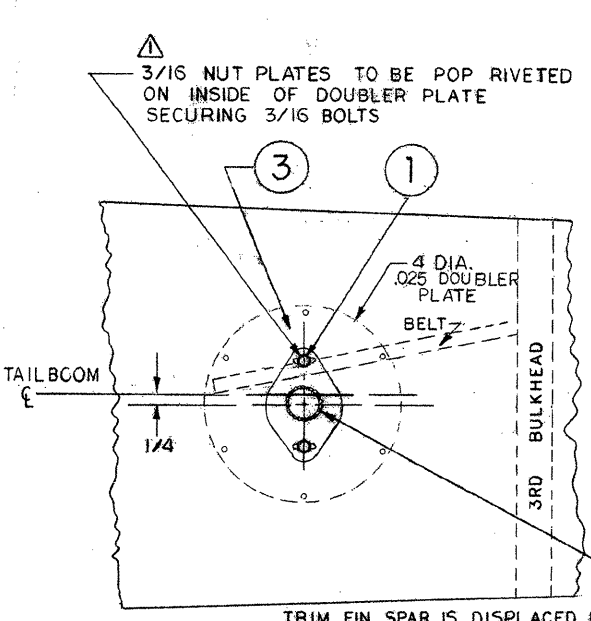
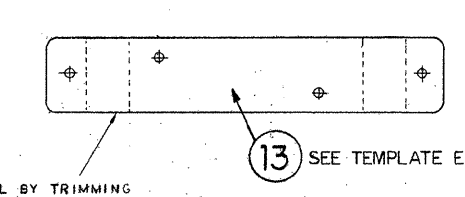
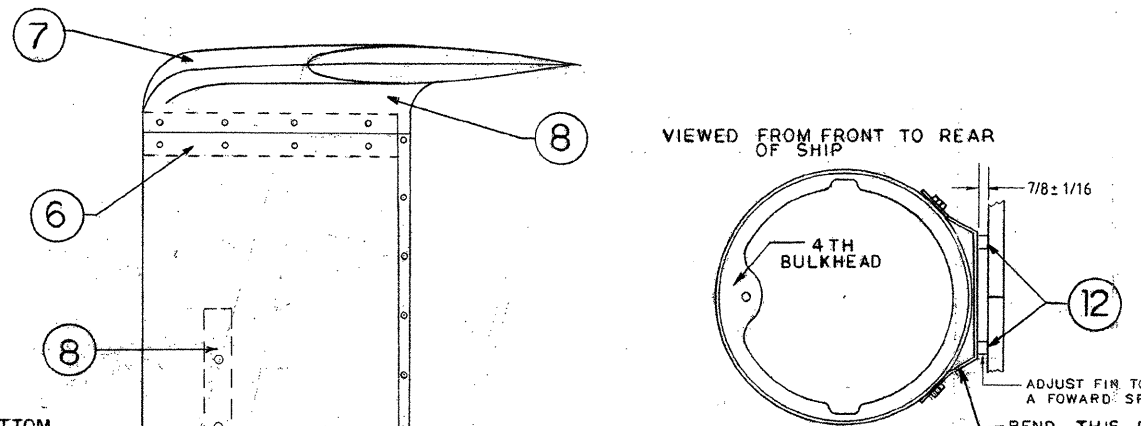
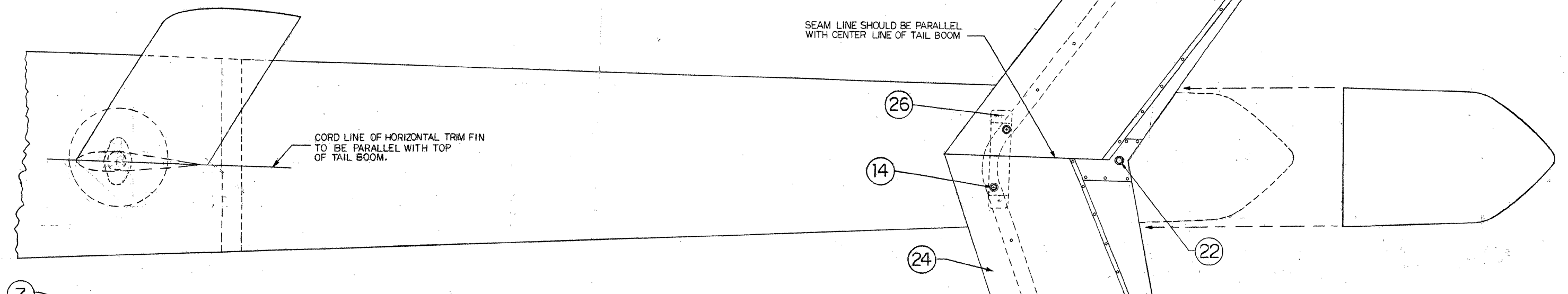
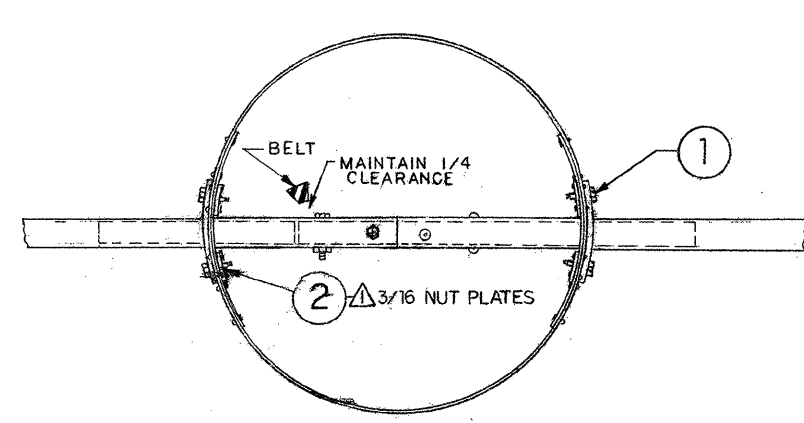


NOTE: THE SQUARE TUBE PORTION OF THE AIRFRAME IS REFERRED TO AS THE DRIVE MOUNT AREA.

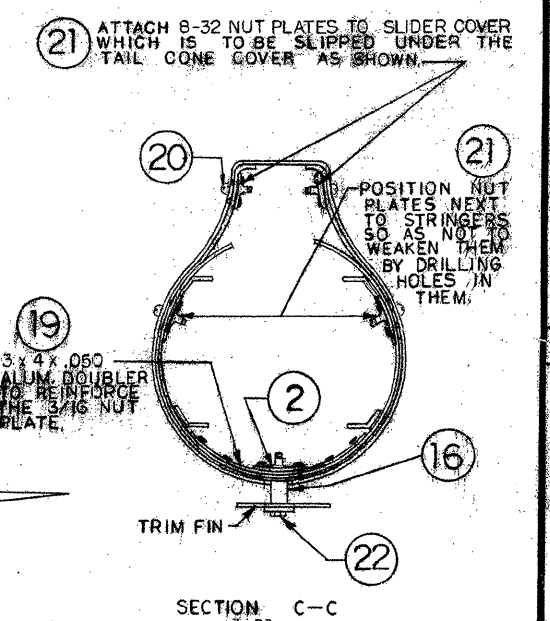
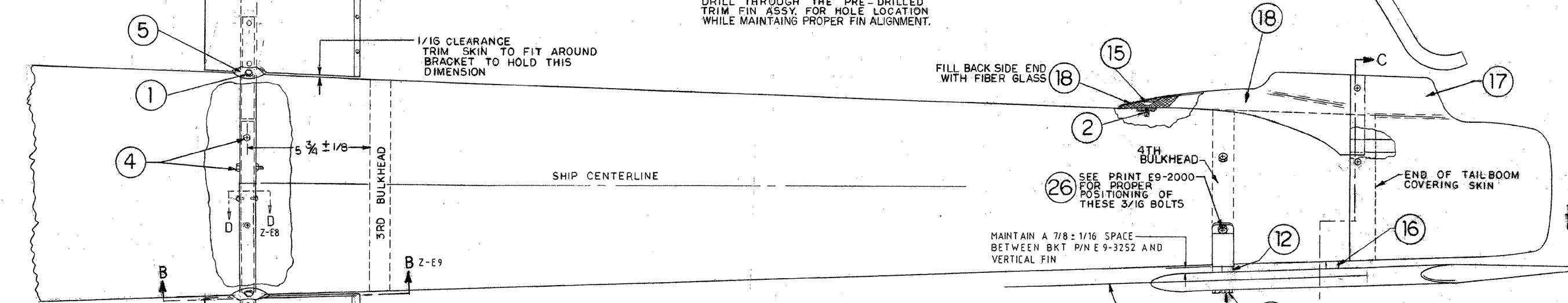


ROTORWAY INTERNATIONAL CHANDLER, ARIZONA		
SCALE: NONE	APPROVED BY:	DRAWN BY: WAR
DATE: 4-15-97		REVISED:
AIRFRAME, LANDING GEAR		
DRAWING NUMBER:		E10-2000

A  
B  
C  
D  
E

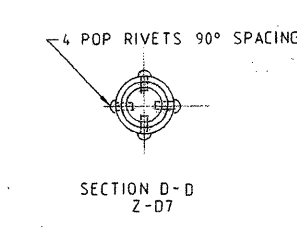


USE 5 POP RIVETS TOP AND BOTTOM. SPACE 2 1/4 APART. INBOARD 2 RIVETS TO ALSO SECURE THE SPLICE TUBING.

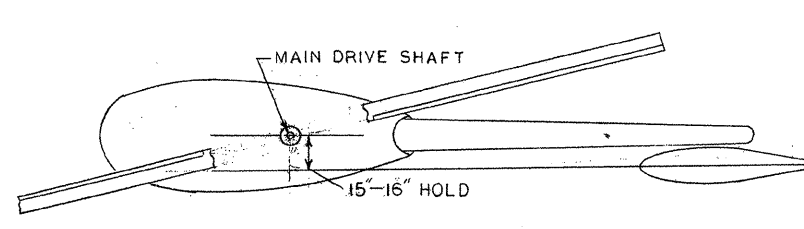


SECTION B-B Z-D7  
TRIM FIN SPAR IS DISPLACED BELOW BOOM 1/4" SO THE TAIL ROTOR DRIVE BELT WILL NOT INTERFERE. MAINTAIN 1/4" BELT CLEARANCE MINIMUM

REF. NO.	PART NO.	PART NAME	QTY.
1.	E00-2300	BOLT 3/16 X 1/2	4
2.	E00-7100	10/32 NUT PLATES	4
3.	E09-3140	DOUBLER PLATE (FROM E24-9780)	2
4.	E00-2306	BOLT 3/16 X 1-1/4	2
5.	E09-3280	HORIZ. TRIM FIN BRACKET	2
6.	E09-3271	HORIZ. TRIM FIN WOOD PLUGS	2
7.	E09-6211	WINGLET, PILOT (OUTSIDE)	1
8.	E09-6231	WINGLET, PILOT (INSIDE)	1
9.	E09-6221	WINGLET, PASS (OUTSIDE)	1
10.	E09-6241	WINGLET, PASS (INSIDE)	1
11.	E09-9021	HORIZ. TRIM FIN ASSY.	1
12.	E09-3323	VERTICAL FIN SPACER, FRONT	2
13.	E09-3252	VERT. TRIM FIN ATTACHMENT BRKT	1
14.	E00-2414	BOLT 1/4 X 2-3/8	2
15.	E00-2302	3/16 X 5/8 COUNTERSUNK SCREW	2
16.	E09-3321	VERT. FIN SPACER, REAR	1
17.	E09-7100	TAIL CONE COVER-FIBERGLASS	1
18.	E09-7110	SLIDER COVER-FIBERGLASS	1
19.	E09-3310	VERT. TRIM FIN DOUBLER (FROM E09-3330)	1
20.	E00-1200	8-32 X 7/16 PHILLIPS HEAD SCREW	4
21.	E00-7000	8-32 NUT PLATES	4
22.	E00-2309	BOLT 3/16 X 1-7/8	1
23.	E09-3241	VERT. TRIM FIN SPAR	1
24.	E09-9010	VERT. TRIM FIN ASSY.	1
25.	E09-3260	VERT. TRIM FIN WOOD PLUGS	2
26.	E00-2303	BOLT 3/16 X 3/4	4



FIT WINGLET HALVES, FIBERGLASS TOGETHER. FORM WOOD PLUGS TO FIT INSIDE FIN AND WINGLET. SECURE WITH WOOD SCREWS. COVER SEAM WITH FIBERGLASS.



TO ADJUST FOR A 2° TRIM FIN ANGLE ESTABLISH A LINE OF SIGHT REFERENCE ON THE MAIN CHORD LINE AT THE TOP OF THE VERTICAL TRIM FIN AND OBSERVE 15-16" AT MAIN DRIVE SHAFT. FLIGHT TEST MUST BE CONDUCTED TO CONFIRM THE CORRECTNESS OF THE 2° POSITIVE ANGLE.

11-20-97 REVISION 4: PART NUMBERS UPDATED  
5-29-96 REVISION 3: ADD NOTE (REF. ZONE A4)  
9-9-94 REVISION 2: ADD WINGLETS  
8-26-91 REVISION 1: ZONE D7 5.3/4 DIM. TO E OF SPAR

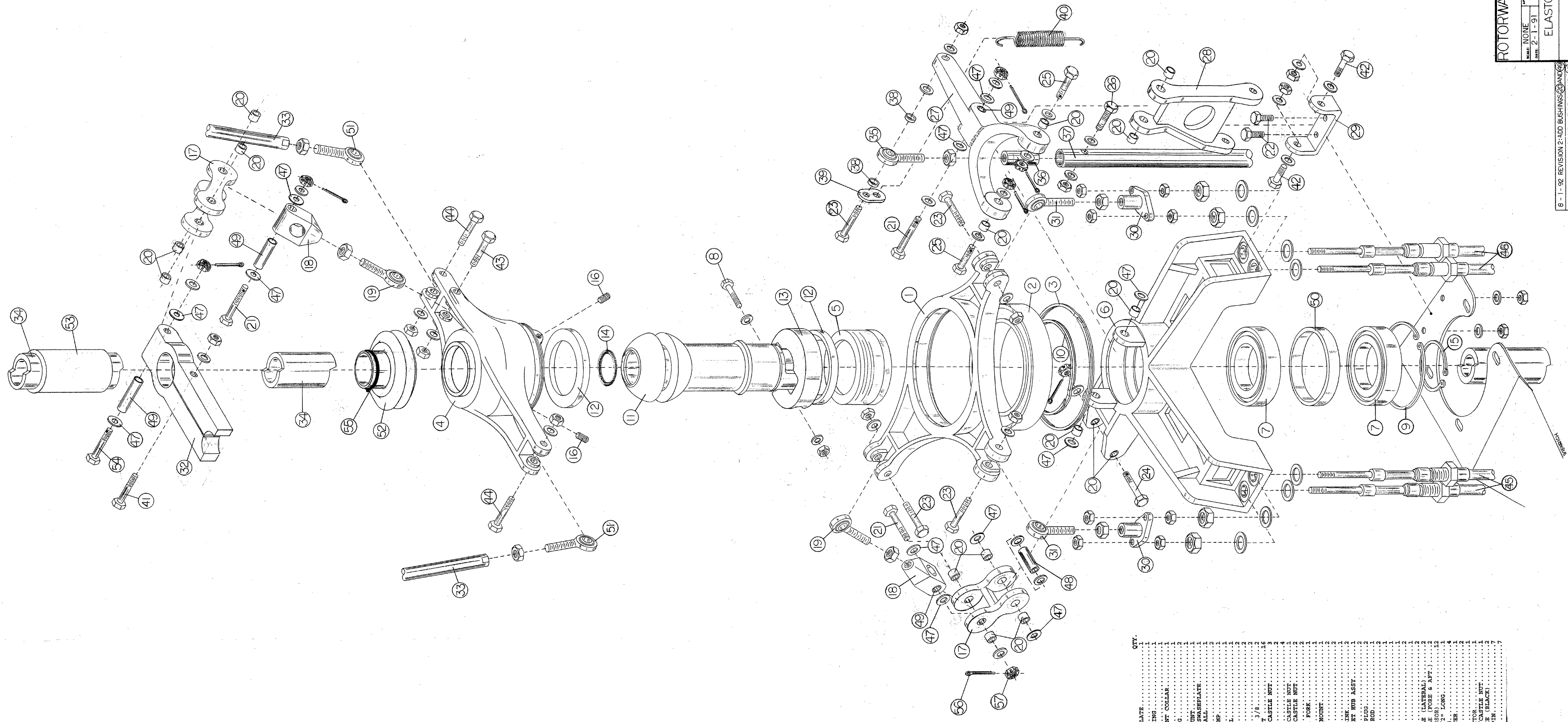
ROTORWAY INTERNATIONAL  
PHOENIX, ARIZONA

SCALE: NONE APPROVED BY: *[Signature]* DRAWN BY: R.M.M.  
DATE: 2-1-91 REVISED: 11-20-97

VERTICAL & HORIZONTAL TRIM FINS

DRAWING NUMBER: E09-2001-4

A B C D E F G H



REF. NO.	PART NO.	PART NAME	QTY.
1	E49-3520	SWASHPLATE BEARING	1
2	E49-3540	SNAP RING NON ROTATING	1
3	E49-3210	SLIDEBALL ADJUSTMENT COLLAR	1
4	E49-4040	CYCLIC CABLE MOUNT	1
5	E49-4040	CYCLIC CABLE MOUNT	1
6	E49-4040	CYCLIC CABLE MOUNT	1
7	E49-4040	CYCLIC CABLE MOUNT	1
8	E49-4040	CYCLIC CABLE MOUNT	1
9	E49-4040	CYCLIC CABLE MOUNT	1
10	E49-3220	SLIDEBALL ADJUSTMENT COLLAR	1
11	E49-3240	SNAP RING SLIDEBALL	1
12	E49-3240	SNAP RING SLIDEBALL	1
13	E49-3240	SNAP RING SLIDEBALL	1
14	E49-3240	SNAP RING SLIDEBALL	1
15	E49-3240	SNAP RING SLIDEBALL	1
16	E49-3240	SNAP RING SLIDEBALL	1
17	E49-3240	SNAP RING SLIDEBALL	1
18	E49-3240	SNAP RING SLIDEBALL	1
19	E49-4710	SCISSOR CLEVIS	2
20	E49-4720	MALE ROD END 5/16 X 3/8	2
21	E49-4730	FEMALE ROD END 5/16 X 3/8	2
22	E49-4740	SCISSOR LINK	2
23	E49-4750	SCISSOR NUT	2
24	E49-4760	SCISSOR ROD	2
25	E49-4770	SCISSOR NUT	2
26	E49-4780	SCISSOR ROD	2
27	E49-4790	SCISSOR NUT	2
28	E49-4800	SCISSOR ROD	2
29	E49-4810	SCISSOR NUT	2
30	E49-4820	SCISSOR ROD	2
31	E49-4830	SCISSOR NUT	2
32	E49-4840	SCISSOR ROD	2
33	E49-4850	SCISSOR NUT	2
34	E49-4860	SCISSOR ROD	2
35	E49-4870	SCISSOR NUT	2
36	E49-4880	SCISSOR ROD	2
37	E49-4890	SCISSOR NUT	2
38	E49-4900	SCISSOR ROD	2
39	E49-4910	SCISSOR NUT	2
40	E49-4920	SCISSOR ROD	2
41	E49-4930	SCISSOR NUT	2
42	E49-4940	SCISSOR ROD	2
43	E49-4950	SCISSOR NUT	2
44	E49-4960	SCISSOR ROD	2
45	E49-4970	SCISSOR NUT	2
46	E49-4980	SCISSOR ROD	2
47	E49-4990	SCISSOR NUT	2
48	E49-5000	SCISSOR ROD	2
49	E49-5010	SCISSOR NUT	2
50	E49-5020	SCISSOR ROD	2
51	E49-5030	SCISSOR NUT	2
52	E49-5040	SCISSOR ROD	2
53	E49-5050	SCISSOR NUT	2
54	E49-5060	SCISSOR ROD	2
55	E49-5070	SCISSOR NUT	2
56	E49-5080	SCISSOR ROD	2
57	E49-5090	SCISSOR NUT	2

ROTORWAY INTERNATIONAL  
 PHOENIX, ARIZONA  
 DATE: 2-1-91  
 PREPARED BY: S. Kog  
 ELASTOMERIC SWASH PLATE  
 8-1-92 REVISION 2: ADD BUSHINGS AND  
 8-28-91 REVISION 1: NEW STYLE CLAMP  
 E49-2002-2